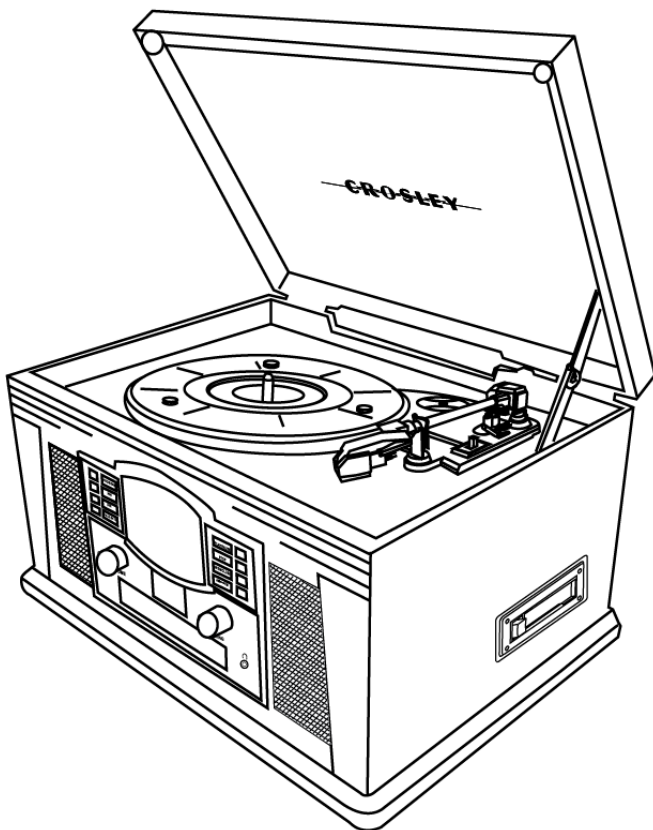




CR42D
Lancaster Turntable
Instruction Manual



Questions, problems, missing parts?
Before returning to the store, call Customer Service
8 a.m. – 6 p.m., EST, Monday – Friday
1-888-CROSLEY
www.crosleyradio.com

Safety Instructions

Read and understand this entire manual before using this product. Keep these instructions for future reference.

1. Do not use this product near water.
2. This product should be operated only by the type of power source indicated on the marking label or in this instruction manual.
3. Do not defeat the safety purpose of the polarized plug. A polarized plug has two blades with one blade wider than the other. This plug will fit into the power outlet only one way. If you are unable to insert the plug fully into the outlet try reversing the plug. If the plug should still fail to fit, contact your electrician.
4. Protect the power cord from being walked on or pinched particularly at plugs, convenience receptacles, and the point where they exit from the product.
5. Do not overload wall outlets, extension cords, or integral convenience receptacles as this can result in a risk of fire or electric shock.
6. Never push objects of any kind into this product through openings as they may touch dangerous voltage points or short-out parts that could result in a fire or electric shock. Never spill liquid of any kind on the product.
7. Do not attempt to service this product yourself as opening or removing covers may expose you to dangerous voltage or other hazards. Refer all servicing to qualified service personnel.
8. Changes or modifications to this unit not expressly approved by the party responsible for compliance could void the user's authority to operate the equipment.
9. Do not use attachments not recommended by the product manufacturer as they may cause hazards.
10. A product and cart combination should be moved with care. Quick stops, excessive force, and uneven surfaces may cause the product and cart combination to overturn.
11. Slots and openings in the cabinet are provided for ventilation and to ensure reliable operation of the product and to protect it from overheating. Do not block or cover these openings.
12. Unplug the product during lightning storm or when unused for long periods of time.

Items in this package

Before throwing away any packaging materials, please check thoroughly and make sure you find the following items that come along with this package:

- Turntable
- 45 RPM adapter
- 3.5mm aux in cable

Please contact Crosley customer service if there is any accessory missing from the package. **Retain the original packaging materials for exchange or return purposes.**

Specifications

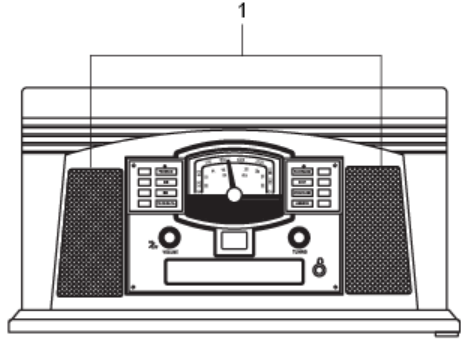
Power	120V, 60Hz
Power consumption	18W
Speaker	3.5", 8Ω, 5W x 2
Turntable speed	33 ¹ / ₃ , 45, 78 RPM
Replacement needle	Crosley NP6

Note:

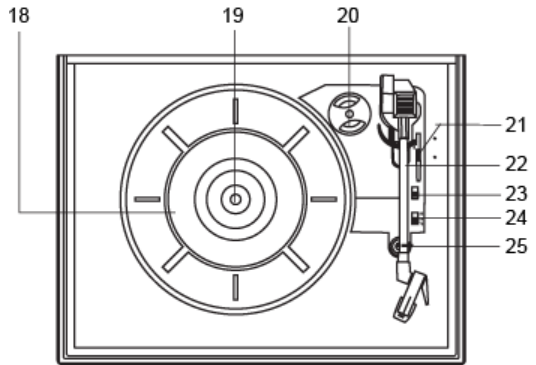
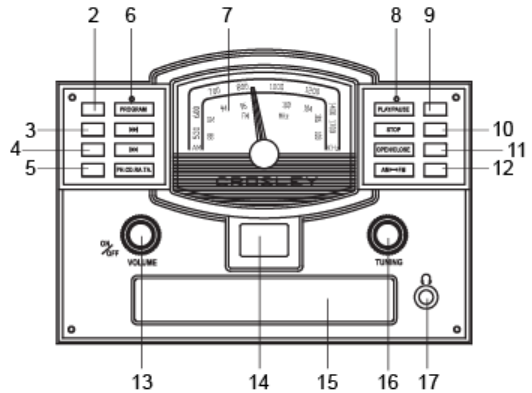
- *Design and specifications are subject to change without notice.*
- **To help save power consumption, some models will comply with ERP energy saving standard. When there is no audio input for 20 minutes, their powers will automatically cut-off. To turn power back on and resume playing, you will need to turn off the power and turn it on again.**

Product Description

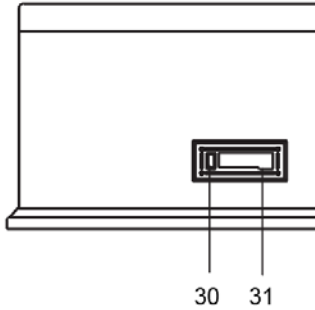
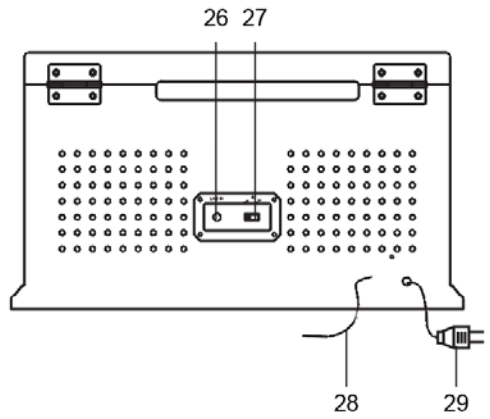
1. Speakers
2. Program Button
3. Forward Skip Button
4. Backward Skip Button
5. Function Switch
6. Program Indicator
7. Dial Scale
8. Play Indicator
9. Play/Pause Button
10. Stop Button
11. CD Door Open/Close Button



12. AM/FM Switch
13. Volume Knob
14. LED Display
15. CD Tray
16. Tuning Knob
17. Headphone Jack
18. Turntable Platter
19. Turntable Spindle
20. 45 RPM Adapter
21. Tonearm Lever
22. Tonearm
23. Auto-stop Switch
24. Speed Switch
25. Hold Down Clip



- 26. Line In Jack
- 27. Bluetooth Switch
- 28. External Antenna
- 29. Power Cord Plug
- 30. Cassette Eject/Fast Forward Button
- 31. Cassette Door



Initial Setup

Essential Setup

1. Place the unit on a flat and level surface. The selected location should be stable and free from vibration.
2. Remove the tie-wrap that is holding the tonearm.
3. Plug the power cord to the power outlet.

Aux Input Connection

You can connect an audio device to this unit and play your music through its speakers. To do this, connect the 3.5mm auxiliary cable between your audio device and the Aux In Jack of this unit and start playing the music.

Note: The aux in connection has the highest priority of all the functions. When there is an auxiliary cable plugged in, the aux in connection will automatically override the Bluetooth, turntable, CD, radio or cassette mode. To resume using the other features of the unit, unplug the auxiliary cable from the aux in jack.

Bluetooth Operation

1. Slide the **Bluetooth Switch** to the ON position, you will hear an activation sound from the unit.
2. Turn on the Bluetooth feature of your audio device, search for “Crosley CR42” and pair.
3. Once your device is successfully paired with the unit, you will hear a short confirmation sound from the unit.
4. Play and stream music from your device to the unit.

Note:

- *Bluetooth version - 4.1*
- *Bluetooth mode has a lower priority than the aux in connection, but higher priority than the rest of the other modes. When it is under the Bluetooth mode, the Bluetooth connection will override turntable, CD, radio or cassette mode. To resume using those features, turn the Bluetooth Switch back to the OFF position.*

Turntable Operation

1. Rotate the **On/Off Volume Knob** to turn on the power.
2. Set the **Function Switch** to PH position.
3. Set the **Speed Switch** accordingly.
4. Place the record on the turntable. Use the **45 RPM Adapter** if necessary.
5. Remove the stylus protector from the stylus assembly.
Note: To avoid stylus damage, make certain the included stylus guard is in place whenever the turntable is being moved or cleaned.
6. Release the tonearm **Hold Down Clip**.
Note: when the turntable is not in use, remember to lock back hold down clip.
7. Use the **Tonearm Lever** to lift up the tonearm.
8. Gently move the tonearm over the record where play is desired to begin. Set the **Tonearm Lever** back to the down position, the tonearm will descend slowly onto the record and begin to playback.
9. When the record is finished playing, use the **Tonearm Lever** again to raise the tonearm and then return it to the **Tonearm Rest**. Release the lever to let the tonearm sit back at its rest. To suspend the playback, repeat the same steps.
10. Lock the **Hold Down Clip** to secure the tonearm.

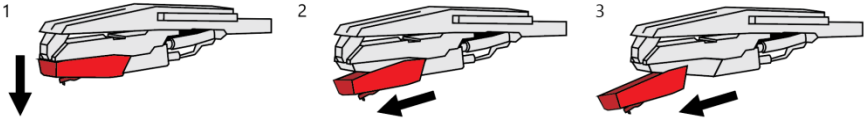
Platter Auto-stop

If the **Auto-stop Switch** is set to ON position, the platter will stop spinning automatically when the record plays to the end. In some rare occasion, if the turntable stops playing before the end of the record, set the switch to OFF position the turntable should overcome this issue.

Needle Replacement

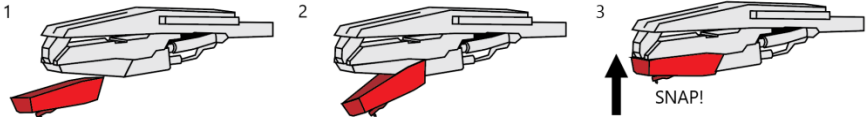
Removing Needle

1. Gently pull down the front edge of the needle.
2. Pull needle forward.
3. Pull out and remove.



Installing Needle

1. Position the needle with its tip facing down.
2. Line up the back of the needle with the cartridge.
3. Insert the needle with its front end at a downward angle and gently lift the front of the needle upward until it snaps into place.



Radio Operation

1. Set the **Function Switch** to RA position, set the AM/FM switch to the desired radio band.
2. Rotate the **Tuning Knob** for desired radio station.

Note:

- *The unit is equipped with a FM wire antenna. To FM improve reception, move the wire around until the reception is clear without interferences. Do not connect the wire to any additional antenna.*
- *The AM antenna is built inside the unit. If AM reception is poor, try to rotate the unit for better reception.*

CD Playback Operation

1. Set the **Function Switch** to CD position.
2. Press the **Open/Close** button to open the CD tray and put the CD in the tray with the labeled side facing up.
3. Press the **Open/Close** button again to close the tray. The LED display will show "--" for a few seconds, then the total number of tracks on the CD. If it is a blank CD or an unrecognizable CD, it will show "00".
Note: MP3 or similar types of digital audio files can not be read by the CD player.
4. Press the **Play/Pause** button to start the playback. The **Play Indicator** will light up.
5. During the playback, press the **Play/Pause** button to pause and the Play Indicator will start flashing. Press it again to resume playback.
6. To skip to the next or previous track, press the **Forward Skip** or **Backward Skip** button correspondingly.
7. To search fast forward or backward a track, press and hold the **Forward Skip** or **Backward Skip** button correspondingly until you reach the desired time. Release the button and the playback will resume.
8. Press the **Stop** button if you want to completely stop playback.

Programmed Playback

1. Before starting the playback, press the **Program** button once to enter program mode. **Program Indicator** will start flashing. The LED display will flash "01" as the track sequence which is to be edited.
2. Press the **Forward Skip** or **Backward Skip** buttons to select the desired track that you would like to play. The LED's number will turn steady instead of flashing, showing the sound track number at selection.
3. Press the **Program** button to confirm the selected track. The LED's number will start flashing again showing the next track sequence which is to be edited.
4. Repeat steps 2 & 3 for additional sound tracks that you would like to play. The tracks can be in any number and repeated. A maximum of 20 tracks can be programmed at one time.
5. Press **Play/Pause** button to start the programmed playback. The tracks will play in the same sequence that you programmed earlier.
6. To exit the program mode, press the **Stop** button twice and the Program Indicator will be off.

Cassette Operation

1. Set the **Function Switch** to TA position.
2. Insert the prerecorded cassette through the cassette door and it will start playing automatically.
3. To fast forward, press the cassette **Eject/F.F** button half way in. To stop fast forwarding and return to the playback mode, press the button again.

Note: To rewind the cassette, you would need to reject the tape and flip it over for the other side and fast forward.

4. To stop the playback and eject the cassette, press the **Eject/F.F.** button all the way in.
5. When one side of the cassette finishes playing, it will stop automatically.

Note: Remove the cassette from the cassette holder when it is not in use.

Turntable Maintenance

1. Do not touch the stylus tip with your fingers. Avoid bumping the stylus on the turntable mat or a record's edge.
2. Clean the stylus frequently with a soft brush with a back-to-front motion only.
3. Clean the records to get rid of dust or grease with a record cleaning brush and record cleaning solution.
4. Clean the turntable lid and turntable cabinet with a slightly dampened microfiber cloth.

Note: Do not use cleanser other that contains alcohol, benzene or any other harsh chemicals, which might damage the paint and finish of the turntable.

**** Crosley offers a product line of different cleaning accessories. Please ask your retailer or check out our website www.crosleyradio.com for more cleaning product information.**

Troubleshooting

There is no power

- No power at the power outlet.
- To help save power consumption, this model complies with ERP energy saving standard. When there is no audio input for 20 minutes, its powers will automatically cut-off. To turn power back on and resume playing, turn off the main power switch and turn it on again.

Power is on, but the platter does not turn

- Turntable mode is not selected.
- Turntable's drive belt has slipped off.
- An aux in cable is plugged into the aux in jack, unplug it.

Turntable is spinning, but there is no sound, or sound not loud enough

- Stylus protector is still on.
- Tone arm is lift up by the lever.
- Headphone is plugged in.
- The input gain of the amplified speaker or similar device may be too low.

CD does not play

- Function mode is not set to CD.
- The CD is blank.
- The CD is placed on the tray incorrectly with the label side facing down.
- The CD has unsupported digital audio files like MP3 and similar types of format.
- The CD has too many scratches or dirty.

Can not pause the cassette

- The feature is not available and you have to stop the cassette completely.

FCC Statements

FCC Caution:

1. This device complies with Part 15 of the FCC rules/ Industry Canada license-exempt RSS standard(s). Operation is subject to the following two conditions:
 - (1) This device may not cause harmful interference, and
 - (2) This device must accept any interference received, including interference that may cause undesired operation.
2. This device and its antenna(s) must not be co-located or operating in conjunction with any other antenna or transmitter.
3. Changes or modifications to this unit not expressly approved by the party responsible for compliance could void the user authority to operate the equipment.

Note:

This equipment has been tested and found to comply with the limits for a Class B digital device, pursuant to Part 15 of the FCC Rules. These limits are designed to provide reasonable protection against harmful interference in a residential installation. This equipment generates, uses, and can radiate radio frequency energy and, if not installed and used in accordance with the instructions, may cause harmful interference to radio communications. However, there is no guarantee that interference will not occur in a particular installation. If this equipment does cause harmful interference to radio or television reception, which can be determined by turning the equipment off and on, the user is encouraged to try to correct the interference by one or more of the following measures:

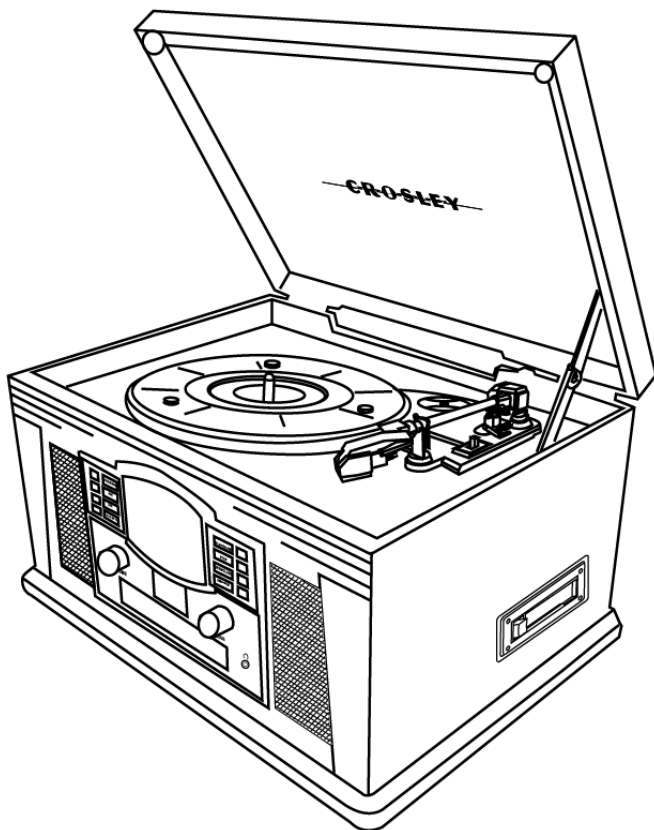
- Reorient or relocate the receiving antenna.
- Increase the separation between the equipment and receiver.
- Connect the equipment into a circuit different from that to which the receiver is connected.
- Consult the dealer or an experienced radio TV technician for help.

CROSLEY®

CR42D

Platine tourne-disque Lancaster

Manuel d'utilisation



Des questions, problèmes, pièces manquantes?
Avant de retourner au magasin, appelez le service à la clientèle
De 8 h à 18 h, HNE, du lundi au vendredi
1-888-CROSLEY
www.crosleyradio.com

Instructions de sécurité

Veillez lire et comprendre l'intégralité de ce manuel avant d'utiliser ce produit. Conservez ces instructions pour pouvoir les consulter ultérieurement.

1. Ne pas utiliser ce produit près de l'eau.
2. Ce produit doit être alimenté uniquement par le type de source d'alimentation indiqué sur l'étiquette ou dans le présent manuel d'utilisation.
3. Ne pas tenter de modifier le dispositif de sécurité que constitue la fiche polarisée. Une fiche polarisée a deux lames, l'une étant plus large que l'autre. Cette fiche peut être insérée dans une prise électrique d'une seule façon. S'il est impossible d'insérer la fiche complètement dans la prise, inverser la fiche. Si la fiche ne peut toujours pas s'insérer entièrement, contacter un électricien.
4. Faire en sorte que personne ne marche sur le cordon d'alimentation ou que ce dernier ne soit pas pincé, notamment au niveau des fiches, des prises murales et du point de sortie du produit.
5. Ne pas surcharger les prises murales, cordons de rallonge ou prises de courant intégrales, car cela pourrait entraîner un risque d'incendie ou de décharge électrique.
6. Ne jamais pousser d'objets, quelle que soit leur nature, dans les ouvertures, car ils pourraient toucher des points de tension dangereux ou court-circuiter des pièces, ce qui pourrait entraîner un incendie ou une décharge électrique. Ne jamais renverser de liquide, quelle qu'en soit la nature, sur le produit.
7. Ne pas tenter de réparer ce produit vous-même, car couvrir ou ôter des couvercles pourrait vous exposer à une tension dangereuse ou à d'autres dangers. Faire appel à une personne qualifiée pour toutes les réparations.
8. Les changements ou les modifications non approuvés expressément par la partie responsable de la conformité pourraient annuler le droit de l'utilisateur de faire fonctionner le matériel.
9. Ne pas utiliser d'accessoires non recommandés par le fabricant du produit, car ils pourraient causer des dommages.
10. Il est important de déplacer avec prudence le produit s'il se trouve sur un chariot. Les arrêts brusques, une force excessive et les surfaces inégales peuvent entraîner le retournement du produit sur un chariot.
11. Des fentes et ouvertures sont présentes dans le boîtier pour la ventilation, pour assurer un fonctionnement fiable du produit et pour le protéger d'une surchauffe. Ne pas bloquer ou couvrir ces ouvertures.
12. Débrancher le produit pendant un orage ou lorsqu'il est inutilisé pendant une période prolongée.

Contenu de la trousse

Avant de jeter les emballages, veuillez les passer en revue minutieusement et vérifier que vous avez les éléments suivants fournis dans cette trousse :

- Tourne-disque
- Adaptateur 45 tours
- Câble d'entrée auxiliaire de 3,5 mm

Veuillez contacter le service à la clientèle de Crosley s'il manque des accessoires dans la trousse. **Conservez les emballages d'origine pour procéder à un échange ou à un retour.**

Spécifications

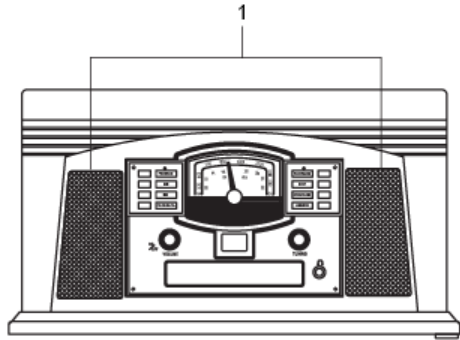
Alimentation	120V, 60Hz
Consommation électrique	18 W
Haut-parleur	3.5", 8Ω, 5W x 2
Vitesse du tourne-disque	33 ¹ / ₃ , 45, 78 T/M
Aiguille de rechange	Crosley NP6

Remarque :

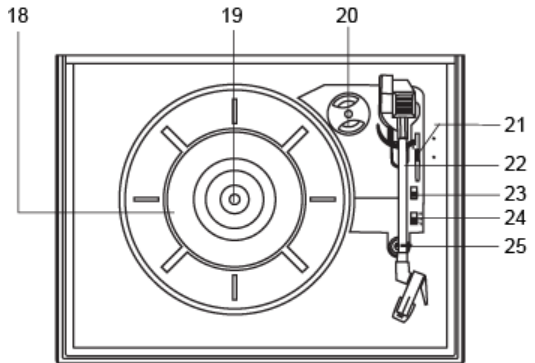
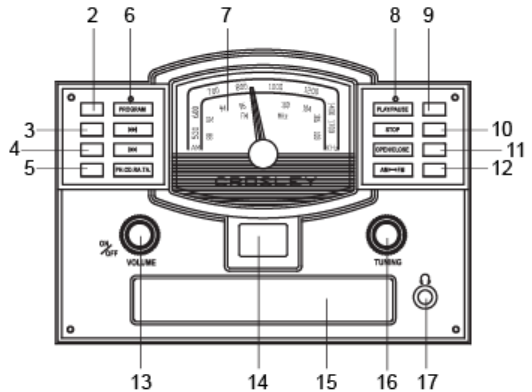
- *La conception et les spécifications sont sujettes à modification sans préavis.*
- **Pour contribuer à économiser de l'énergie, ce modèle se conformera à la norme d'économie d'énergie ERP (Energy-Related Products). En l'absence d'entrée audio pendant 20 minutes, l'alimentation se coupera automatiquement. Pour rétablir l'alimentation en courant et reprendre la lecture, éteignez l'appareil en appuyant sur l'interrupteur d'alimentation principal, puis rallumez-le.**

Description du produit

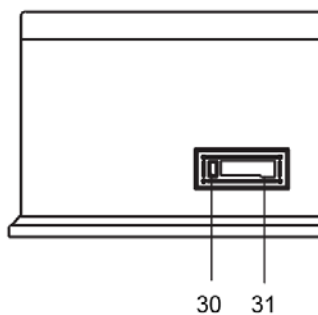
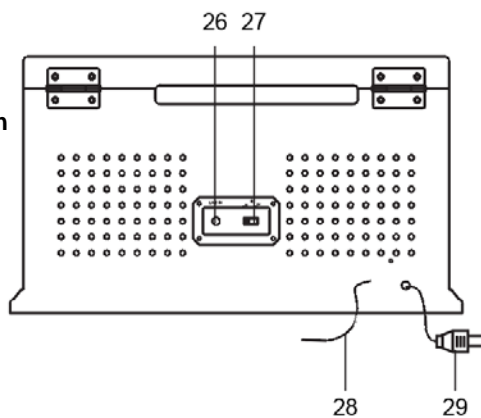
1. Haut-parleur
2. Bouton de programmation
3. Bouton Suivant
4. Bouton Précédent
5. Sélecteur de fonction
6. Voyant Programmation
7. Échelle de syntonisation
8. Voyant Lecture
9. Bouton Lecture/Pause
10. Bouton Arrêt
11. Bouton d'ouverture/fermeture de la porte du compartiment CD



12. Sélecteur AM/FM
13. Bouton du volume
14. Affichage à DEL
15. Porte-CD
16. Bouton de syntonisation
17. Prise pour casque d'écoute
18. Plateau du tourne-disque
19. Broche du tourne-disque
20. Adaptateur 45 tours
21. Levier du bras de lecture
22. Bras de lecture
23. Commutateur d'arrêt automatique
24. Sélecteur de vitesse
25. Attache de retenue



- 26. Prise d'entrée
- 27. Sélecteur Bluetooth
- 28. Antenne externe
- 29. Fiche du cordon d'alimentation
- 30. Bouton Éjection de la cassette/Avance rapide
- 31. Porte-cassette



Configuration initiale

Configuration de base

1. Placez l'appareil sur une surface plane. L'emplacement choisi doit être stable et sans vibration.
2. Retirez l'attache qui retient le bras de lecture.
3. Branchez le cordon d'alimentation à la prise de courant.

Branchement de l'entrée Aux

Vous pouvez brancher un périphérique audio à cet appareil afin d'écouter de la musique avec vos écouteurs. Pour cela, branchez le câble auxiliaire 3,5 mm entre votre périphérique audio et la **prise d'entrée Aux** de cet appareil et commencez à écouter de la musique.

Remarque : Le raccordement Aux in présente la plus haute priorité de toutes les fonctions. Si un câble auxiliaire est branché, le raccordement Aux in annulera automatiquement le mode Bluetooth, tourne-disque, CD, radio ou cassette. Pour utiliser à nouveau les autres caractéristiques de l'appareil, débranchez le câble auxiliaire de la prise Aux in.

Utilisation du Bluetooth

1. Faites glisser le **Sélecteur Bluetooth** à la position ON (MARCHE); l'unité émettra un son d'activation.
2. Activez la fonction Bluetooth de votre appareil audio, recherchez « Crosley CR42 » et associez l'appareil.
3. Une fois votre appareil associé à l'unité, celle-ci émettra un bref son de confirmation.
4. Lire et diffuser de la musique en continu de votre appareil sur l'unité.

Remarque :

- *Versions de Bluetooth – 4.1*
- *Le mode Bluetooth présente une priorité moindre que le raccordement Aux in, mais toutefois supérieure à tous les autres modes. Lorsqu'en mode Bluetooth, le raccordement Bluetooth annulera le mode tourne-disque, CD, radio ou cassette. Pour utiliser à nouveau les autres caractéristiques, remettez le commutateur Bluetooth à la position OFF (arrêt).*

Utilisation du tourne-disque

1. Tournez le **bouton On/Off du volume** pour mettre l'appareil sous tension.
2. Mettez le **sélecteur de fonction** en position PH.
3. Réglez le **sélecteur de vitesse** en conséquence.
4. Placez le disque sur le tourne-disque. Utilisez l'**adaptateur 45 tours** si besoin.
5. Retirez la protection du stylet de son assemblage.
Remarque : Pour éviter d'endommager le stylet, vérifiez que la protection intégrée du stylet est bien en place lorsque vous déplacez ou nettoyez le tourne-disque.
6. Relâchez l'**attache de retenue** du bras de lecture.
Remarque : Lorsque vous n'utilisez pas le tourne-disque, n'oubliez pas de verrouiller à nouveau l'attache de retenue.
7. Utilisez le **levier du bras de lecture** pour soulever le bras de lecture.
8. Déplacez doucement le bras de lecture au-dessus du disque, là où vous souhaitez commencer la lecture. Abaissez le **levier du bras de lecture**. Le bras de lecture descendra doucement sur le disque et commencera la lecture.
9. Lorsque la lecture du disque est terminée, utilisez à nouveau le **levier du bras de lecture** pour soulever le bras de lecture et le remettre sur le **support du bras de lecture**. Relâchez le levier pour reposer le bras de lecture sur son support. Pour interrompre la lecture, répétez les mêmes étapes.
10. Verrouillez l'**attache du bras de lecture** pour retenir le bras de lecture.

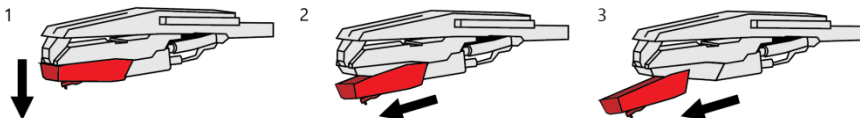
Arrêt automatique du plateau

Si le **sélecteur d'arrêt automatique** est en position ON (MARCHE), le plateau s'arrêtera automatiquement de tourner lorsque la lecture du disque sera terminée. Dans quelques rares occasions, si le tourne-disque s'arrête de lire avant la fin du disque, positionnez le sélecteur sur OFF (ARRÊT) : le tourne-disque devrait surmonter ce problème.

Remplacement de l'aiguille

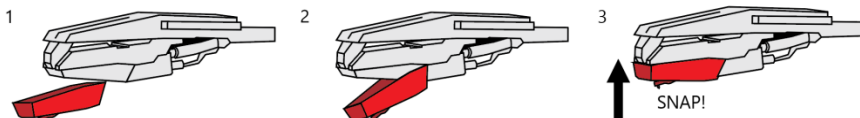
Retrait de l'aiguille

1. Tirez doucement vers le bas le bord avant de l'aiguille.
2. Tirez l'aiguille vers l'avant.
3. Tirez vers l'extérieur pour l'enlever.



Installation de l'aiguille

1. Positionnez l'aiguille avec son extrémité vers le bas.
2. Alignez l'arrière de l'aiguille avec la cartouche.
3. Insérez l'aiguille avec son extrémité avant à un angle descendant et soulevez doucement l'avant de l'aiguille vers le haut jusqu'à ce qu'il s'enclenche.



Utilisation de la radio

1. Réglez le **sélecteur de fonction** en position RA réglez sur le **sélecteur de AM/FM** sur la bande radio désirée.
2. Tournez le **bouton de syntonisation** pour sélectionner la station de radio désirée.

Remarque :

- L'appareil est équipé d'une antenne FM filaire. Pour améliorer la réception FM, déplacez l'antenne jusqu'à ce que la réception soit claire et sans interférences. Ne branchez pas le fil sur une autre antenne.
- L'antenne AM est intégrée à l'appareil. Si la réception AM est faible, essayez de faire pivoter l'appareil pour obtenir une meilleure réception.

Mode d'emploi de la lecture d'un CD

1. Mettez le **sélecteur de fonction** en position CD.
2. Appuyez sur le bouton **Ouvrir/Fermer** pour ouvrir le porte-CD et mettez le CD dans le porte-CD avec le côté marqué du disque vers le haut.
3. Appuyez de nouveau sur le bouton **Ouvrir/Fermer** pour fermer le porte-CD. L'écran ACL indique « -- » pendant quelques secondes, puis le nombre total de pistes sur le CD. S'il s'agit d'un CD vierge ou inconnu, il indiquera « 00 ». *Remarque : Le MP3 ou les types similaires de fichiers audio numériques ne peuvent pas être lus par le lecteur CD.*
4. Appuyez sur le bouton **Lecture/Pause** pour lancer la lecture. Le voyant **Lecture** s'allumera.
5. Pendant la lecture, appuyez sur le bouton **Lecture/Pause** pour mettre en pause : le voyant Lecture se mettra à clignoter. Appuyez de nouveau sur le bouton pour reprendre la lecture.
6. Pour passer à la piste suivante ou revenir à la piste précédente, appuyez sur le bouton **Suivant** ou **Précédent** selon ce que vous souhaitez.
7. Pour effectuer une avance rapide ou reculer sur une piste, appuyez et maintenez enfoncé le bouton **Suivant** ou **Précédent** selon ce que vous souhaitez jusqu'à ce que vous ayez atteint le moment souhaité. Relâchez le bouton et la lecture reprendra.
8. Appuyez sur la touche **Arrêt** si vous souhaitez arrêter complètement la lecture.

Lecture programmée

1. Avant de lancer la lecture, appuyez une fois sur le bouton **Programmation** pour entrer dans le mode Programmation. Le voyant **Programmation** se mettra alors à clignoter. L'écran ACL affichera « 01 » en clignotant, affichant la séquence de piste devant être modifiée.
2. Appuyez sur le bouton **Suivant** ou **Précédent** pour sélectionner la piste souhaitée que vous aimeriez lire. Le numéro indiqué sur l'écran ACL arrêtera de clignoter, affichant le numéro de la piste sélectionnée.
3. Appuyez sur le bouton **Programmation** pour confirmer la piste sélectionnée. Le numéro sur l'écran ACL se remettra à clignoter affichant la séquence de la piste suivante devant être modifiée.
4. Répétez les étapes 2 et 3 pour les pistes supplémentaires que vous aimeriez lire. Les pistes peuvent être dans n'importe quel ordre et répétées. Un maximum de 20 pistes peut être programmé en une fois.
5. Appuyez sur le bouton **Lecture/Pause** pour lancer la lecture programmée. Les pistes seront lues dans la même séquence que vous avez programmée auparavant.
6. Pour quitter le mode Programmation, appuyez deux fois sur le bouton **Arrêt** et le voyant Programmation s'éteindra.

Utilisation du lecteur de cassettes

1. Réglez le **sélecteur de fonction** sur la position TA.
2. Insérez la cassette préenregistrée dans le compartiment à cassettes et la lecture commencera automatiquement.
3. Pour enclencher l'avance rapide, appuyez à mi-course sur le bouton **Éjection/Avance rapide**. Pour arrêter l'avance rapide et revenir en mode de lecture, appuyez à nouveau sur le bouton.

Remarque : Pour rembobiner la cassette, vous devez éjecter la cassette, la retourner et faire une avance rapide.

4. Pour arrêter la lecture et éjecter la cassette, appuyez sur la touche **Éjection/Avance rapide** jusqu'au bout.
5. Quand la lecture d'un côté de la cassette est terminée, elle s'arrêtera automatiquement.

Remarque : Retirez la cassette du compartiment à cassettes lorsqu'elle n'est pas utilisée.

Entretien du tourne-disque

1. Ne pas toucher l'extrémité du stylet avec vos doigts. Éviter de cogner le stylet sur le tapis du tourne-disque ou le bord du disque.
2. Nettoyer souvent le stylet avec une brosse douce dans un mouvement d'arrière vers l'avant uniquement.
3. Nettoyer les disques pour retirer la poussière ou la graisse avec une brosse de nettoyage pour disque et une solution nettoyante pour disque.
4. Nettoyer le couvercle du tourne-disque et le boîtier du tourne-disque avec un chiffon microfibre légèrement humide.

Remarque : Ne pas utiliser d'autre nettoyant contenant de l'alcool, du benzène ou tout autre produit chimique nocif qui pourrait endommager la peinture et la finition du tourne-disque.

**** Crosley propose toute une gamme d'accessoires de nettoyage. Veuillez contacter votre détaillant ou consulter notre site Web www.crosleyradio.com pour obtenir plus d'informations sur les produits de nettoyage.**

Dépannage

L'appareil ne s'allume pas

- L'adaptateur d'alimentation n'est pas branché correctement.
- Pour contribuer à économiser de l'énergie, ce modèle se conformera à la norme d'économie d'énergie ERP (Energy-Related Products). En l'absence d'entrée audio pendant 20 minutes, l'alimentation se coupera automatiquement. Pour rétablir l'alimentation en courant et reprendre la lecture, éteignez l'appareil en appuyant sur l'interrupteur d'alimentation principal, puis rallumez-le.

L'appareil est allumé, mais le plateau ne tourne pas

- Le mode tourne-disque n'est pas sélectionné.
- La courroie d'entraînement du tourne-disque a glissé.
- Un câble d'entrée Aux est branché à la prise d'entrée Aux, débranchez-le.

Le tourne-disque tourne, mais il n'y a pas de son ou le son n'est pas suffisamment fort.

- La protection du stylet n'a pas été enlevée.
- Le bras de lecture est soulevé par le levier.
- Le casque d'écoute est branché.
- Le gain d'entrée du haut-parleur amplifié ou du périphérique similaire peut être trop faible.

Le CD ne fonctionne pas

- Le mode fonction n'est pas défini sur CD.
- Le CD est vierge.
- Le CD est mal placé sur le porte-CD, l'étiquette vers le bas.
- Le CD a des fichiers audio numériques non pris en charge, comme le MP3 ou des types similaires de fichiers.
- Le CD présente trop de rayures ou est sale.

Impossible de mettre en pause la cassette.

- La fonction n'est pas disponible et vous devez arrêter complètement la cassette.

Déclarations relatives à la FCC

Mise en garde FCC :

1. Cet appareil est en conformité avec la partie 15 des règles de la FCC / norme(s) CNR d'appareils radio exempts de licence d'Innovation, Sciences et Développement économique Canada. Son fonctionnement est assujéti aux deux conditions suivantes :
 - (1) Cet appareil ne peut pas causer des interférences nuisibles, et
 - (2) Cet appareil doit accepter toute interférence reçue, y compris celles susceptibles de causer un fonctionnement indésirable.
2. Cet appareil et son ou ses antenne(s) ne doit pas être colocalisé ou fonctionner conjointement avec tout(e) autre antenne ou transmetteur.
3. Les changements ou les modifications non approuvés expressément par la partie responsable de la conformité pourraient annuler le droit de l'utilisateur de faire fonctionner le matériel.

Remarque :

Ce matériel a été testé et jugé en conformité avec les limites pour un appareil numérique de Classe B, conformément à la partie 15 des règles de la FCC. Ces limites ont été établies pour offrir une protection raisonnable contre l'interférence nuisible dans une installation résidentielle. Cet appareil produit, utilise et peut émettre de l'énergie de fréquence radio et, s'il n'est pas installé et utilisé conformément aux instructions, il peut provoquer de l'interférence nuisible aux communications radio. Toutefois, il n'existe aucune garantie qu'il n'y aura pas d'interférence dans une installation particulière. Si ce matériel cause de l'interférence nuisible à la réception radio ou de télévision, qui peut être déterminée en allumant et en éteignant le matériel, il est conseillé à l'utilisateur de tenter de remédier à l'interférence par l'un ou plusieurs des moyens suivants :

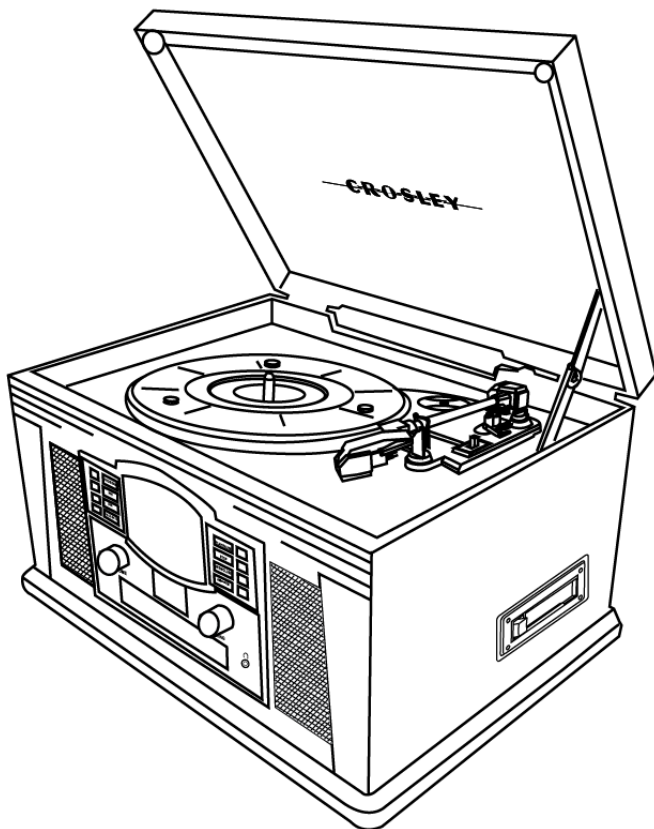
- Réorienter ou déplacer l'antenne de réception.
- Augmenter la distance entre le matériel et le récepteur.
- Brancher le matériel à une prise sur un circuit différent de celui auquel le récepteur est branché.
- Consulter le détaillant ou un technicien de radio ou de télévision qualifié pour obtenir de l'aide.

CROSLEY®

CR42D

Lancaster Tocadoiscos

Manual de instrucciones



¿Tiene preguntas, ha tenido problemas o hay piezas faltantes?
Antes de devolver el producto a la tienda, comuníquese con nuestro Servicio al Cliente
de 8 a. m. a 6 p. m., hora del este, de lunes a viernes
1-888-CROSLEY
www.crosleyradio.com

Instrucciones de seguridad

Lea y comprenda este manual en su totalidad antes de usar este producto. Conserve estas instrucciones para consultarlas en el futuro.

1. No use este producto cerca del agua.
2. Este producto debe ser utilizado solo con el tipo de fuente de alimentación indicado en la etiqueta o en este manual de instrucciones.
3. No subestime el propósito de seguridad del enchufe polarizado. Un enchufe polarizado posee dos hojas; una de ellas es más ancha que la otra. Este enchufe encajará en el tomacorriente en un solo sentido. Si no logra insertar completamente el enchufe en el tomacorriente, pruebe invirtiendo el enchufe. Si aún así el enchufe no encaja, comuníquese con su electricista.
4. Proteja el cable de alimentación de ser pisado o pinzado, en especial en los enchufes, los tomacorrientes y en el punto donde el cable sale del producto.
5. No sobrecargue los tomacorrientes de pared, cables de alargue, o receptáculos integrales, ya que puede generar un riesgo de incendio o descarga eléctrica.
6. No introduzca objetos de ningún tipo en el producto a través de las ranuras, ya que pueden hacer contacto con puntos de alto voltaje o provocar un cortocircuito que ocasione fuego o una descarga eléctrica. No derrame líquidos de ningún tipo sobre el producto.
7. No intente realizar tareas de mantenimiento por su cuenta, ya que abrir o remover la cubierta puede exponerlo a un voltaje peligroso y a otros riesgos. Deje toda tarea de mantenimiento en manos de un técnico de servicio calificado.
8. Los cambios o las modificaciones que no tengan la aprobación expresa de la parte responsable del cumplimiento pueden anular el permiso del usuario para utilizar el equipo.
9. No utilice accesorios que no son recomendados por los fabricantes del producto porque pueden ser peligrosos.
10. Cualquier combinación de carro y producto debe moverse con cuidado. Las paradas súbitas, el uso de fuerza excesiva y las superficies irregulares pueden causar que el producto y el carro se vuelquen.
11. Las ranuras de ventilación y las aberturas del gabinete son provistas para la ventilación y para asegurar el correcto funcionamiento del producto y evitar el recalentamiento. No bloquee ni cubra estas aberturas.
12. Desconecte el producto durante las tormentas eléctricas o cuando no se utilice durante períodos extendidos.

Artículos en este empaque

Antes de deshacerse de cualquier material del empaque, revíselo con atención y asegúrese de encontrar los siguientes artículos que se incluyen en este paquete:

- Tocabdiscos
- Adaptador de 45 rpm
- Cable de entrada de 3.5 mm

Comuníquese con el Servicio al Cliente de Crosley en caso de que faltara algún accesorio en el empaque. **Conserve el material de embalaje original para realizar cambios o devoluciones.**

Especificaciones

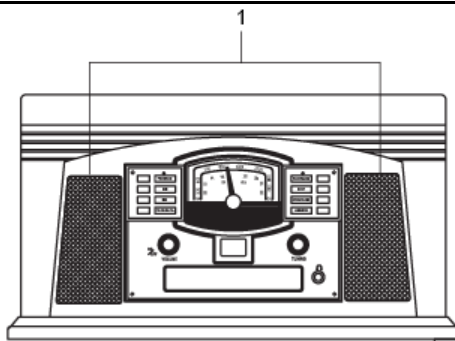
Fuente de energía	120V, 60Hz
Consumo de energía	18 W
Potencia del altavoz	3.5", 8Ω, 5W x 2
Altavoz	33 ¹ / ₃ , 45, 78 RPM
Aguja de repuesto	Crosley NP6

Nota:

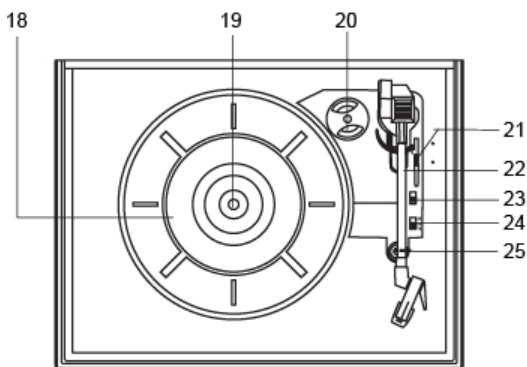
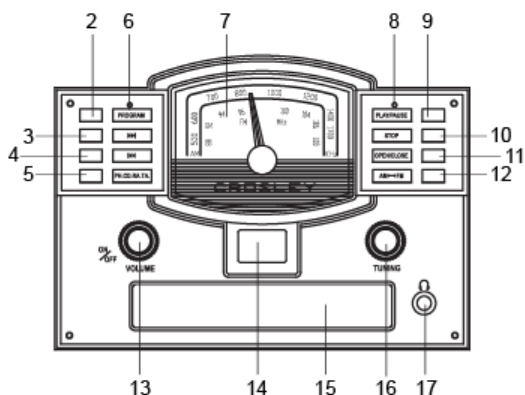
- *El diseño y las especificaciones están sujetos a cambios sin previo aviso.*
- **Con el fin de ahorrar energía, este modelo cumple con el estándar de productos relacionados con la energía (ERP). En el caso de que no se produzca la entrada de audio durante 20 minutos, se desactivará automáticamente. Para volver a encender la unidad y reanudar la reproducción, apáguela con el interruptor de alimentación principal y vuelva a encenderla.**

Descripción del producto

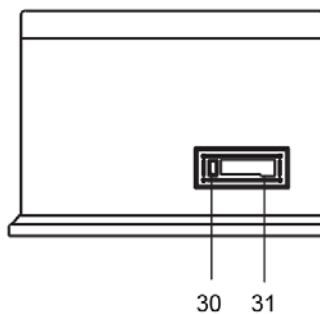
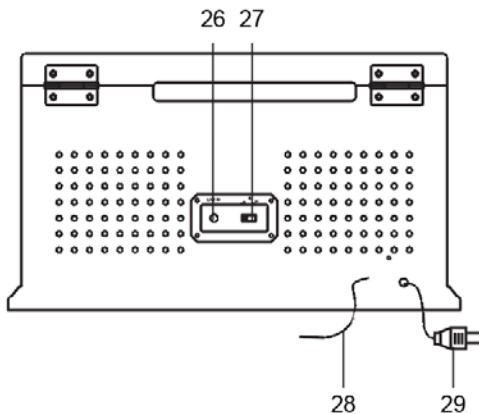
1. Altavoz
2. Botón de programa
3. Botón de salto hacia delante
4. Botón de salto hacia atrás
5. Interruptor de funciones
6. Indicador de programación
7. Indicador de estaciones
8. Indicador de reproducción
9. Botón de reproducción/pausa
10. Botón de detención
11. Botón de apertura/cierre de la puerta para CD



12. Interruptor AM/FM
13. Perilla de volumen
14. Pantalla LED
15. Bandeja para CD
16. Perilla de sintonización
17. Conector de auriculares
18. Bandeja del tocadiscos
19. Eje del tocadiscos
20. Adaptador de 45 rpm
21. Palanca del brazo
22. Brazo del tocadiscos
23. Interruptor de detención automática
24. Interruptor de velocidad
25. Broche de sujeción



- 26.dddConector de entrada
- 27.Interruptor Bluetooth
- 28.Antena externa
- 29.Enchufe del cable eléctrico
- 30.Botón expulsar
casete/avance rápido
- 31. Puerta para casete



Instalación inicial

Instalación indispensable

1. Coloque la unidad en una superficie plana y nivelada. El lugar seleccionado debe ser estable y estar libre de vibraciones.
2. Quite la banda de sujeción que sostiene el brazo del tocadiscos.
3. Enchufe el cable de alimentación en un tomacorriente.

Conexión de entrada auxiliar

Puede conectar un dispositivo de audio a esta unidad y reproducir su música a través de los parlantes. Para hacerlo, conecte el cable auxiliar de 3.5 mm entre su dispositivo de audio y el **Conector de entrada auxiliar** de esta unidad y comience a reproducir la música.

Nota: la conexión de entrada auxiliar tiene la mayor prioridad entre todas las funciones. Cuando un cable auxiliar está enchufado, la conexión de entrada auxiliar invalidará automáticamente el modo Bluetooth, tocadiscos, CD, radio o casete. Para volver a utilizar las otras funciones de la unidad, desconecte el cable auxiliar del conector de entrada auxiliar.

Funcionamiento de Bluetooth

1. Ponga el **perilla de funciones** en la posición de encendido (ON). La unidad emitirá un sonido de activación.
2. Active la conexión de Bluetooth en el dispositivo de audio, busque "Crosley CR42" y conéctelo.
3. Una vez que el dispositivo quede conectado correctamente, la unidad emitirá un sonido corto de confirmación.
4. Reproduzca música en forma inalámbrica desde el dispositivo hacia la unidad.

Nota:

- *Versión de Bluetooth – 4.1*
- *El modo Bluetooth tiene una prioridad menor que la conexión de entrada auxiliar, pero mayor prioridad que el resto de los modos. Cuando esté en el modo Bluetooth, la conexión por Bluetooth invalidará el modo tocadiscos, CD, radio o casete. Para volver a utilizar esas funciones, mueva el interruptor de Bluetooth a la posición de APAGADO.*

Funcionamiento del tocadiscos

1. Gire la **Perilla de volumen encendido/apagado** para encenderlo.
2. Coloque el **interruptor de funciones** en la posición PH.
3. Ajuste el **Interruptor de velocidad** según corresponda.
4. Coloque el disco en el tocadiscos. De ser necesario, utilice el **Adaptador de 45 rpm**.
5. Quite el protector de la aguja fonográfica de su ensamblaje.
Nota: Para evitar los daños de la aguja fonográfica, asegúrese de que el protector esté ubicado correctamente cada vez que mueva o limpie el tocadiscos.
6. Suelte el **Broche de sujeción** del tocadiscos.
Nota: Cuando el tocadiscos no se utilice, recuerde volver a trabar el broche de sujeción.
7. Use la **Palanca del brazo del tocadiscos** para levantar el brazo.
8. Mueva suavemente el brazo del tocadiscos sobre el disco en la parte que desea comenzar a reproducir. Ajuste la **Palanca del brazo del tocadiscos** de vuelta a la posición hacia abajo. El brazo bajará lentamente hacia el disco y se comenzará a reproducir.
9. Cuando el disco termine de reproducirse, utilice la **Palanca del brazo del tocadiscos** una vez más para levantar el brazo y volver a colocarlo en el **Soporte del brazo**. Suelte la palanca para permitir que el brazo vuelva a apoyarse sobre su soporte. Para suspender la reproducción, siga los mismos pasos.
10. Trabe el **Broche del brazo del tocadiscos** para asegurarlo.

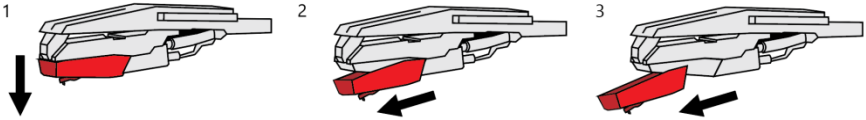
Detención automática de la bandeja

Si el **Interruptor de detención automática** se encuentra en la posición ENCENDIDO, la bandeja dejará de girar automáticamente cuando el disco termine de reproducirse. En raras ocasiones, si el tocadiscos deja de reproducir el disco antes de que termine, ajuste el interruptor a la posición APAGADO. El problema se debería solucionar de esta manera.

Reemplazo de la aguja

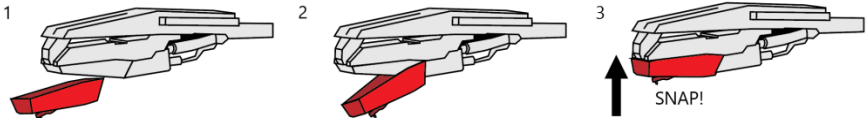
Quitar la aguja

1. Tire del borde delantero de la aguja con suavidad.
2. Tire la aguja hacia adelante.
3. Tire hacia fuera y quítela.



Instalar la aguja

1. Coloque la aguja de manera tal que la punta quede hacia abajo.
2. Alinee la parte trasera de la aguja con la cápsula.
3. Introduzca la aguja con el extremo delantero en un ángulo descendente y suavemente levante la parte delantera de la aguja hacia arriba hasta que se trabe en su lugar.



Funcionamiento de la radio

1. Ajuste el **interruptor de funciones** a la posición RA, ajuste el **interruptor AM/FM** para elegir la banda deseada.
2. Gire la **Perilla de sintonización** para elegir la estación de radio deseada.

Nota:

- *En la unidad se incluye una antena de hilo FM. Para mejorar la recepción FM, mueva el hilo hasta que la recepción sea clara y sin interferencias. No conecte el hilo a ninguna antena adicional.*
- *La antena AM está incorporada dentro de la unidad. Si la recepción AM no fuera buena, intente girar la unidad para lograr una mejor recepción.*

Funcionamiento de la reproducción de CD

1. Ajuste el **Interruptor de funciones** a la posición CD.
2. Presione el botón **Apertura/cierre** para abrir la bandeja para CD y colocar el CD en la bandeja con el lado de la etiqueta hacia arriba.
3. Vuelva a presionar el botón de **Apertura/cierre** para cerrar la bandeja. La pantalla LED mostrará "--" durante unos pocos segundos y luego mostrará el número total de pistas en el CD. Si se trata de un CD vacío o un CD irreconocible, la pantalla mostrará "00".

Nota: El reproductor de CD no puede leer archivos de audio digitales MP3 o de tipos similares.

4. Presione el Botón de **Reproducción/pausa** para iniciar la reproducción. Se encenderá el **Indicador de reproducción**.
5. Durante la reproducción, presione el botón de **Reproducción/pausa** para pausar y el Indicador de reproducción comenzará a parpadear. Vuelva a presionarlo para reanudar la reproducción.
6. Para saltar a la pista siguiente o a la anterior, presione el botón de **Salto hacia adelante** o el botón de **Salto hacia atrás**, según corresponda.
7. Para avanzar o retroceder en una pista, presione y mantenga el botón de **Salto hacia adelante** o el botón de **Salto hacia atrás** según corresponda hasta que llegue al tiempo deseado. Suelte el botón y se reanudará la reproducción.
8. Presione el **botón de** Detención si desea detener la reproducción por completo.

Reproducción programada

1. Antes de comenzar la reproducción, presione el botón de **Programación** una vez para ingresar al modo programación. **El Indicador de programación** comenzará a parpadear. La pantalla LED mostrará "01" como la secuencia de pista que se editará.
2. Presione el botón de **Salto hacia adelante** o el botón de **Salto hacia atrás** para seleccionar la pista que desea reproducir. El número en la pantalla LED permanecerá en la pantalla y no parpadeará. Se mostrará el número de pista en la selección.
3. Presione el botón de **Programación** para confirmar la pista seleccionada. El número en la pantalla LED comenzará a parpadear otra vez, lo que mostrará la siguiente secuencia de pista que será editada.
4. Repita los pasos 2 y 3 para reproducir las pistas adicionales que desee. Las pistas pueden estar repetidas y ser de cualquier cantidad. Es posible programar un máximo de 20 pistas cada vez.
5. Presione el botón de **Reproducción/pausa** para iniciar la reproducción programada. Las pistas se reproducirán en la misma secuencia que usted programó anteriormente.

6. Para salir del modo programación, presione el botón de **Detención** dos veces y el Indicador de programación se apagará.

Funcionamiento del casete

1. Ajuste el **Interruptor de funciones** a la posición TA.
2. Introduzca el casete pregrabado a través de la puerta para casetes y comenzará a reproducirse automáticamente.
3. Para el avance rápido, presione el botón **Expulsar casete/Avance rápido** hasta la mitad. Para detener el avance rápido y volver al modo de reproducción, presione el botón una vez más.

Nota: Para rebobinar el casete, deberá rechazar la cinta, voltearla al otro lado y avanzar rápidamente.

4. Para detener la reproducción y expulsar el casete, presione el botón **Expulsar/Avance rápido** hasta el fondo.
5. Cuando un lado del casete termine de reproducirse, se detendrá automáticamente.

Nota: Quite el casete del soporte cuando no esté en uso.

Mantenimiento del tocadiscos

1. No toque la punta de la aguja fonográfica con los dedos. Evite golpear la aguja fonográfica con el cobertor para el tocadiscos o con el borde del disco.
2. Limpie la aguja fonográfica con frecuencia con un cepillo suave mediante movimientos de atrás hacia adelante.
3. Limpie los discos para quitarles el polvo o la grasa con un cepillo para limpiar discos y con una solución de limpieza para discos.
4. Limpie la tapa del tocadiscos y el gabinete con un paño de microfibras ligeramente humedecido.

Nota: No utilice otros limpiadores que contengan alcohol, benceno o cualquier otro químico agresivo que pueda dañar la pintura y la terminación del tocadiscos.

**** Crosley ofrece una línea de productos de distintos accesorios de limpieza. Para obtener más información acerca de los productos de limpieza, consulte a un comerciante o visite nuestro sitio web www.crosleyradio.com.**

Solución de problemas

La unidad no enciende.

- El transformador no está conectado correctamente.
- Con el fin de ahorrar energía, este modelo cumple con el estándar de productos relacionados con la energía (ERP). En el caso de que no se produzca la entrada de audio durante 20 minutos, se desactivará automáticamente. Para volver a encender la unidad y reanudar la reproducción, apáguela con el interruptor de alimentación principal y vuelva a encenderla.

El equipo está encendido pero la bandeja no gira.

- El modo tocadiscos no está seleccionado.
- Se ha salido la correa de transmisión del tocadiscos.
- Un cable de entrada auxiliar está conectado en el conector de entrada auxiliar. Desconéctelo.

El tocadiscos gira pero no emite sonidos o los sonidos no son lo suficientemente fuertes.

- El protector de la aguja fonográfica aún está colocado.
- La palanca levanta el brazo del tocadiscos.
- El Interruptor interno/externo está en la posición incorrecta.
- Los auriculares están conectados.
- La ganancia de entrada del parlante amplificado o de un dispositivo similar puede ser demasiado baja.

El CD no reproduce sonido.

- El modo función no está configurado en CD.
- El CD está vacío.
- El CD está colocado en la bandeja de manera incorrecta, con el lado de la etiqueta hacia abajo.
- El CD contiene archivos de audio digitales no admitidos, como MP3 o tipos de formato similares.
- El CD está demasiado rayado o sucio.

No se puede pausar el casete.

- La característica no está disponible. Debe detener el casete por completo.

Declaraciones de la FCC

Precaución de la Comisión Federal de Comunicaciones (Federal Communications Commission, FCC):

1. Este dispositivo cumple con la Sección 15 de las reglas de la FCC/los estándares RSS exentos de licencia de la industria de Canadá. El uso de este equipo está sujeto a las dos condiciones siguientes:
 - (1) Este dispositivo no causa interferencia perjudicial; y
 - (2) Este dispositivo debe aceptar cualquier interferencia recibida, incluso interferencia que pueda causar un funcionamiento no deseado.
2. Este dispositivo y sus antenas no deben ubicarse en el mismo sitio u operar en conjunto con cualquier otra antena o transmisor.
3. Los cambios o modificaciones que no tengan la aprobación expresa de la parte responsable del cumplimiento pueden anular el permiso del usuario para utilizar el equipo.

Nota:

Este equipo se verificó y se comprobó que cumple con los límites para un dispositivo digital clase B, conforme a la Sección 15 de las reglas de la FCC. Estos límites están diseñados para brindar una protección razonable frente a interferencia perjudicial en un establecimiento residencial. Este equipo genera, usa y puede irradiar energía de radiofrecuencia y, si no es instalada y utilizada siguiendo las instrucciones, puede causar interferencia perjudicial a las radiocomunicaciones. Sin embargo, no existe garantía de que la interferencia no ocurrirá en un establecimiento en particular. Si este equipo causa interferencia perjudicial a las radiocomunicaciones o a la recepción televisiva, lo que se puede determinar al encender y apagar el equipo, se recomienda que el usuario intente corregir la interferencia mediante una o más de las siguientes medidas:

- Orientar o reubicar la antena de recepción.
- Aumentar la separación entre el equipo y el receptor.
- Conectar el equipo a una salida en un circuito diferente del circuito en el que está conectado el receptor.
- Consultar al proveedor o a un técnico con experiencia en radio/TV para obtener ayuda.