

## Qoopers series course

Section 12

《The Voyager A》

# Curriculum objectives

## **Knowledge and skill**

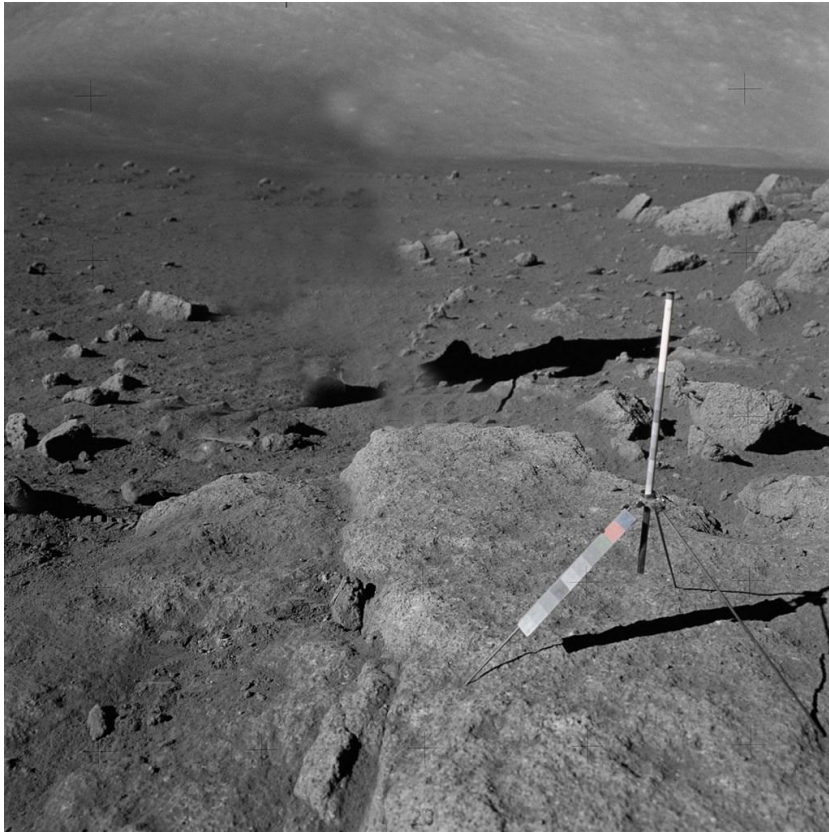
- 1.Understand obstacle avoidance function of ultrasonic sensor;
- 2.Complete structure building of The Voyager with metal components;

## **Process and methods**

- 1.Exercise students' ability of thinking problem and practicing;

## **Emotional attitude and values**

- 1.Train students' curiosity toward outer space in the curriculum learning.



Qoopers need to finish terrain reconnaissance, and collect planet information task in the Metal Block planet and bring these information to earth for researching. We solve a lot of difficulties in the planet at before curriculum, such as route, energy fluctuation, volcano group and so on, but collecting data task still is preparing.



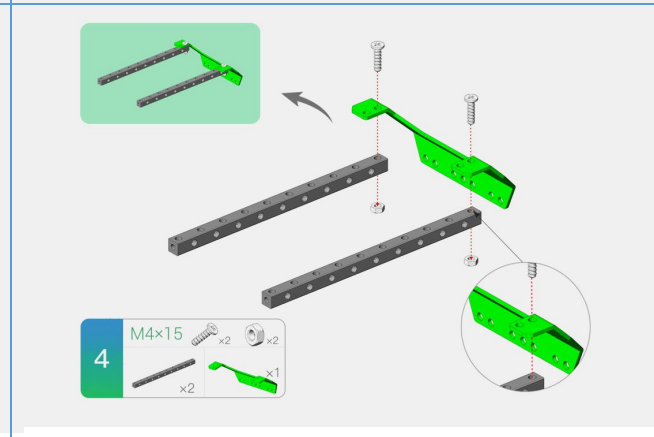
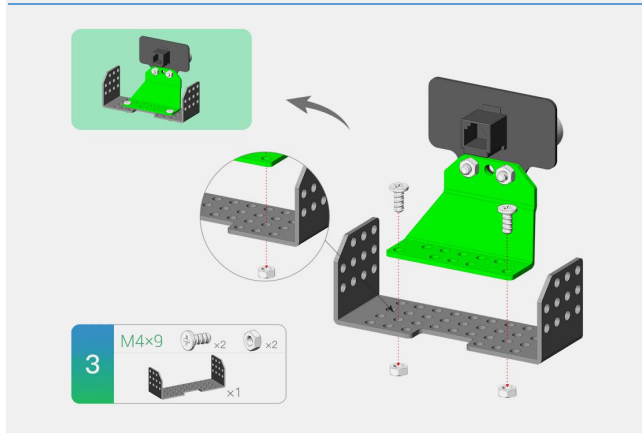
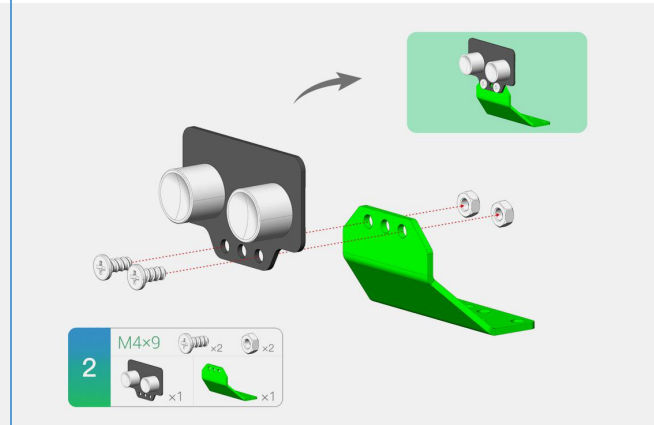
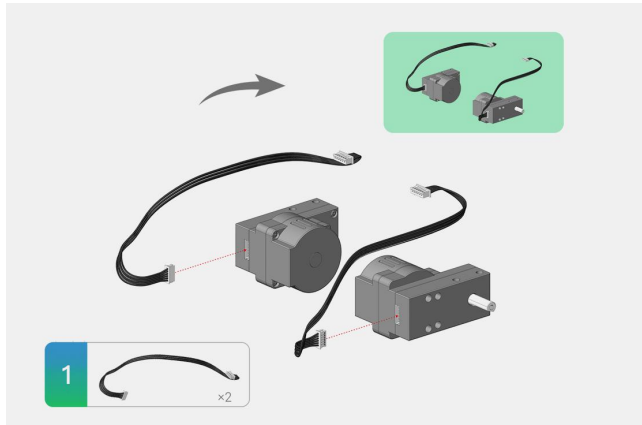
We all know that terrain is so complex in the Metal Block planet that it added lots of difficulty degree to the task of collecting planet data.

Facing many obstacles, if we want collect data flexibly and fleetly, the Voyager is the best choice.

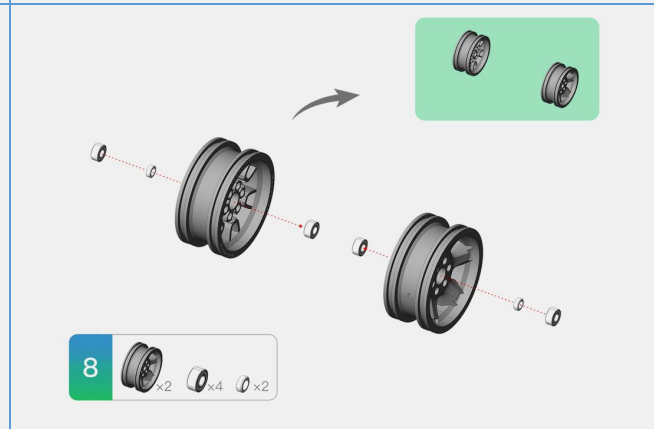
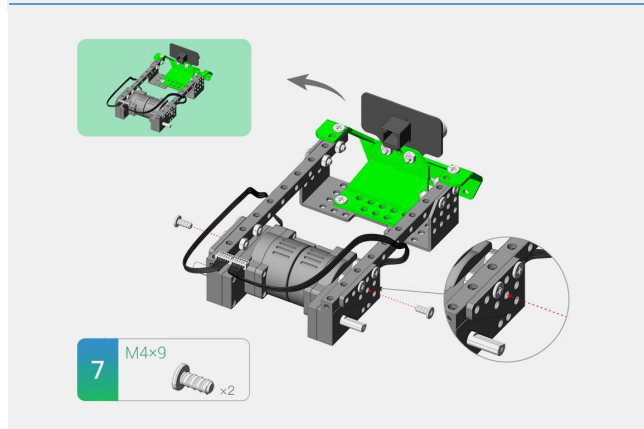
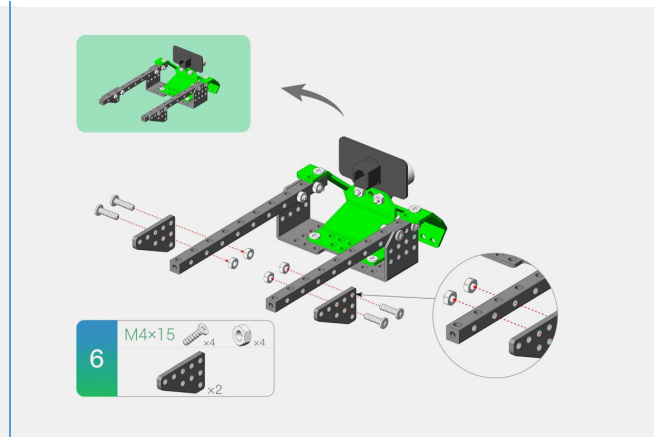
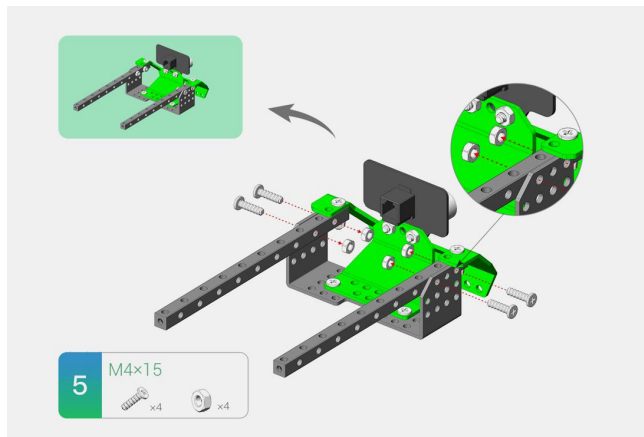
The Voyager has ultrasonic sensor device like Scorpion, and caterpillar diver, so the Voyager possess characters of obstacle avoidance and cross-country.



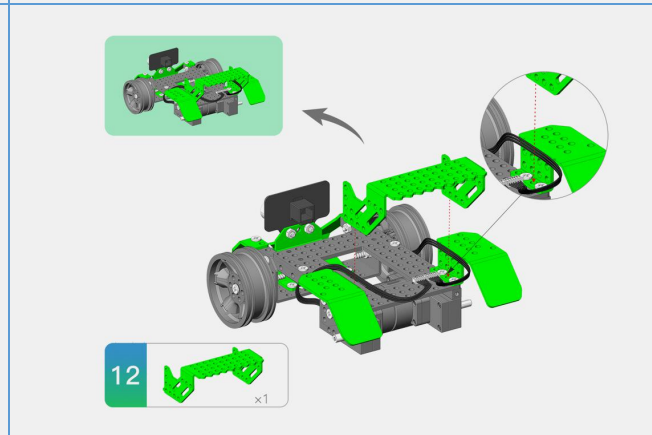
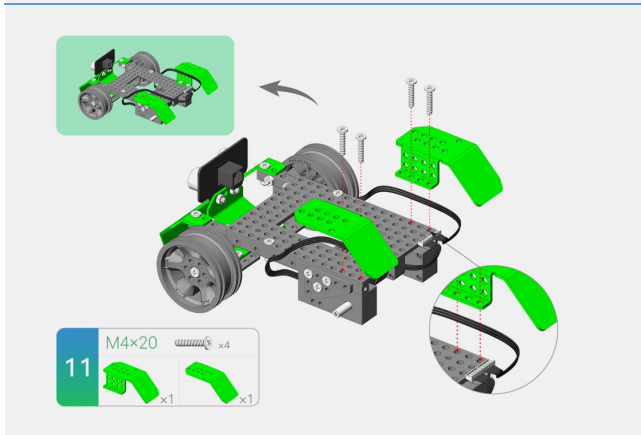
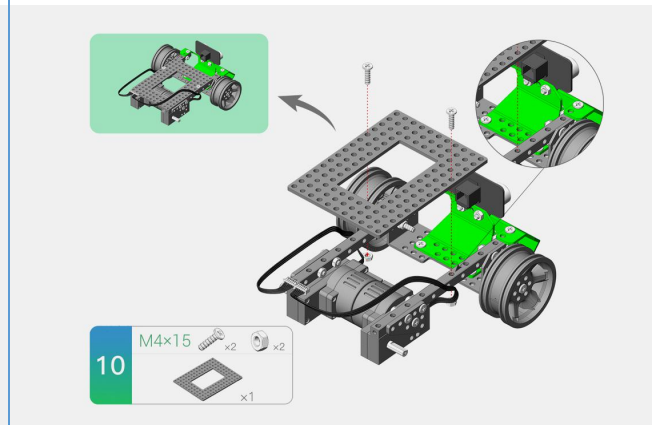
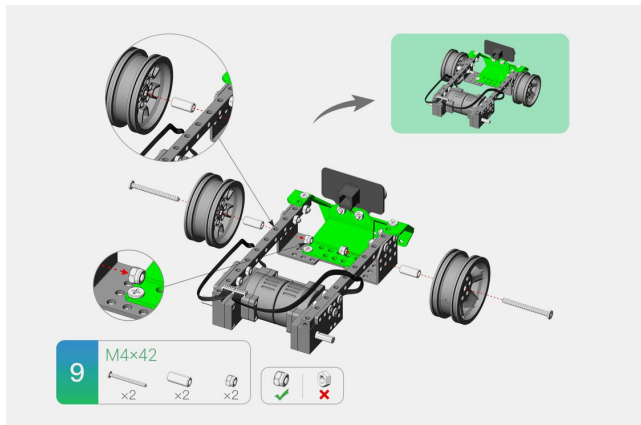
# Structure building



# Structure building

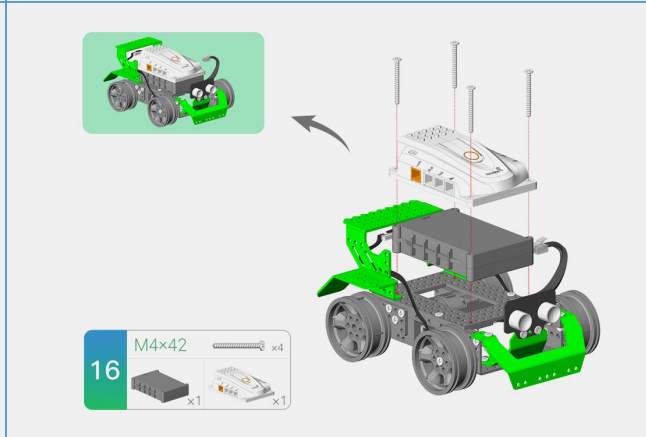
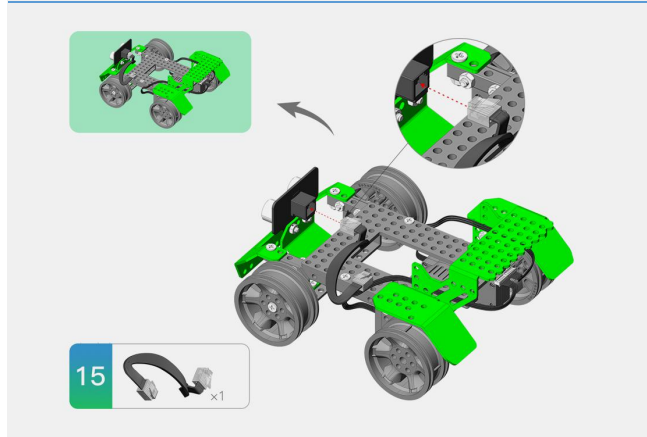
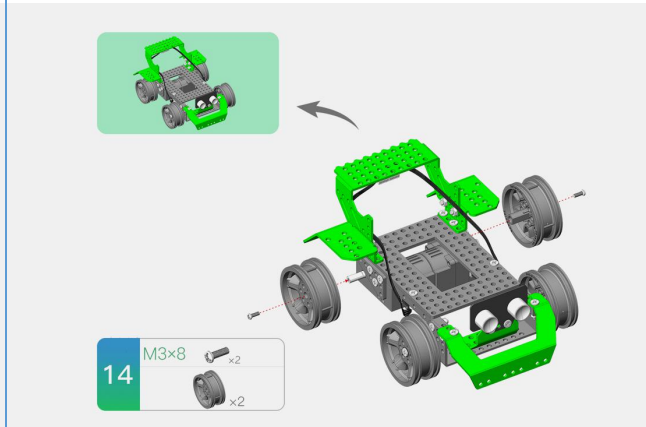
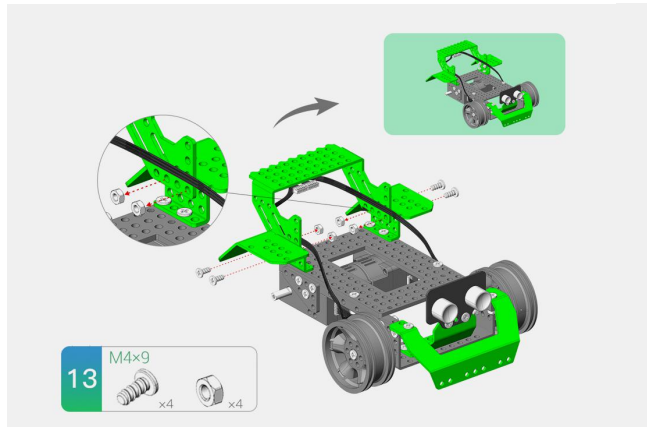


# Structure building

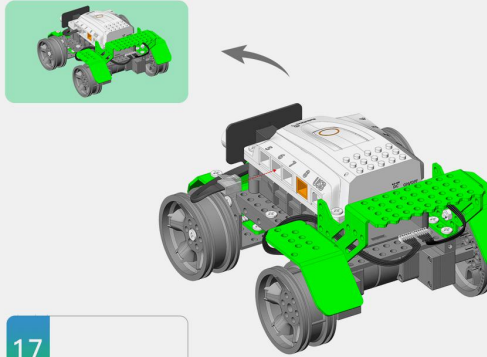




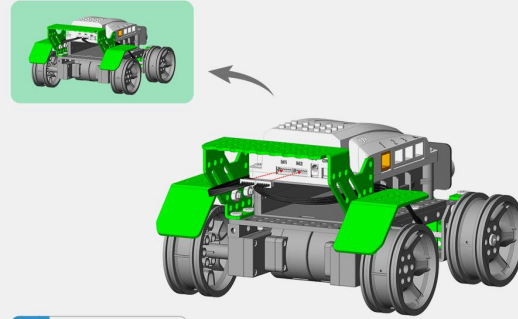
# Structure building



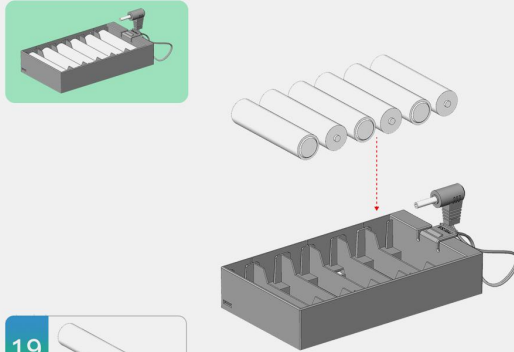
# Structure building



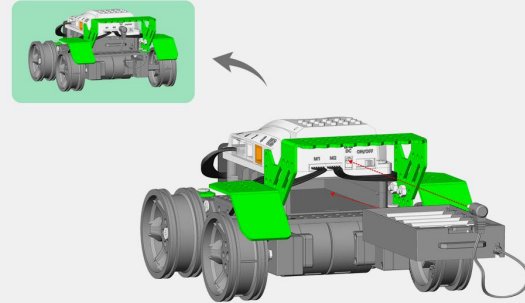
17



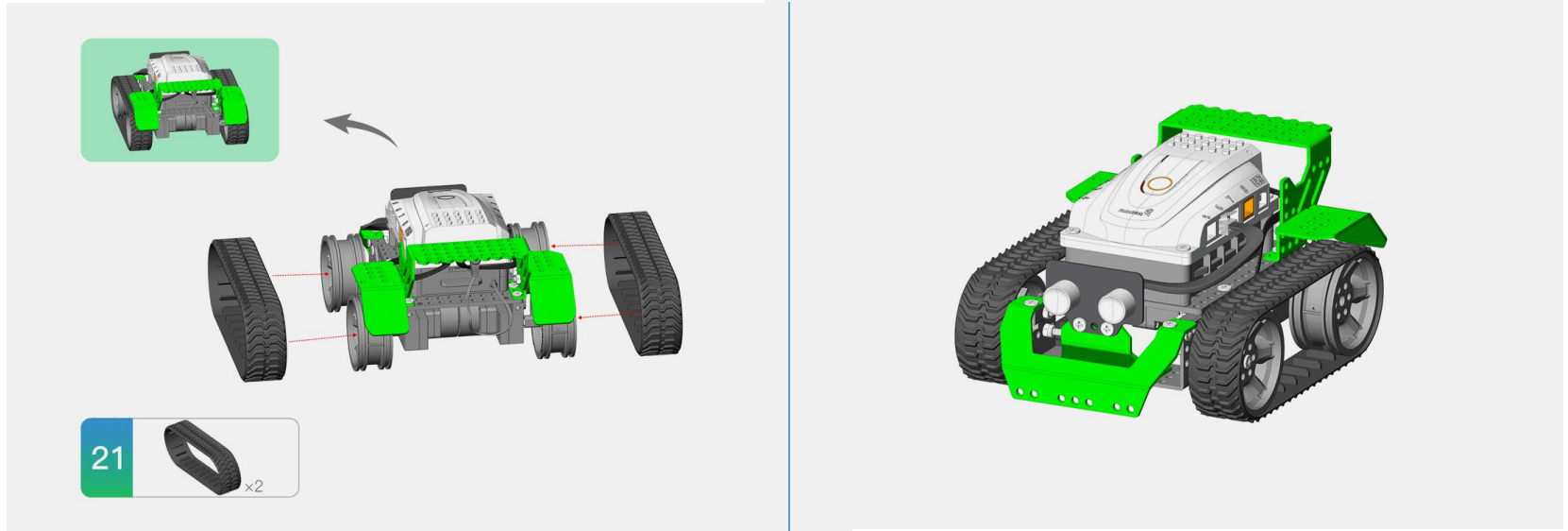
18



19



20



1. Think about that how ultrasonic sensor make the Voyager avoid obstacle?



The copyright of this material belongs to our company. Unauthorized dissemination or plagiarism will be investigated and legal responsibility will be affixed. The company has the final right of interpretation.

**Company:** Robobloq Co., Ltd

**Address:** Room 208, Building B53, Zhongchuang Industrial Park, Liuxian Avenue, Taoyuan Street, Nanshan District of Shenzhen

**E-mail:** [hello@robobloq.com](mailto:hello@robobloq.com)

**Telephone:** + 86-0755 -26926929

**Website:** <http://www.robobloq.com>