



Qoopers series course

Section 4

《Captain Alloy A》

Curriculum objectives

Knowledge and skill

- 1.Learned to use new component— —LED matrix screen;
- 2.Complete structure building of Captain Alloy with metal component;

Process and methods

- 1.Exercise students' operation ability by practice;

Emotional attitude and values

- 1.Train students' spirit of unity and helping each other and strict attitude by introduction of lessons.

Curriculum introduction



The dozer solve the first big difficult because it hew out a exploration road successfully in Metal Block planet. But we don't feel relax for that, because the real exploration is beginning, there are a lot of undiscovered difficulties wait the members of Qoopers to solve.

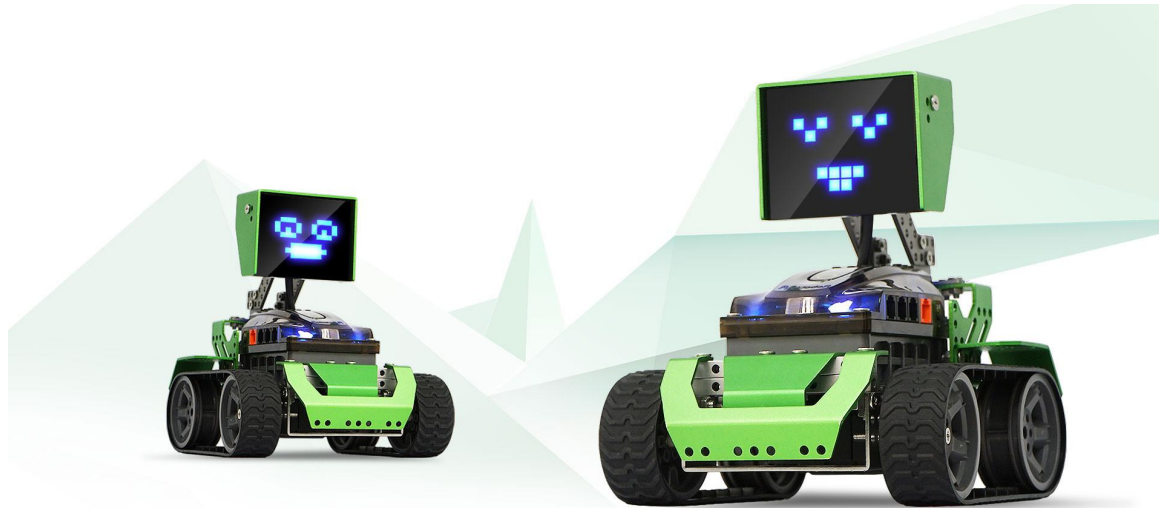
Curriculum introduction

Qoopers obtained this title——Qoopers, because each of them cooperate with each other, implement their own post responsibility, the most important role of Qoopers is captain ——Captain Alloy.

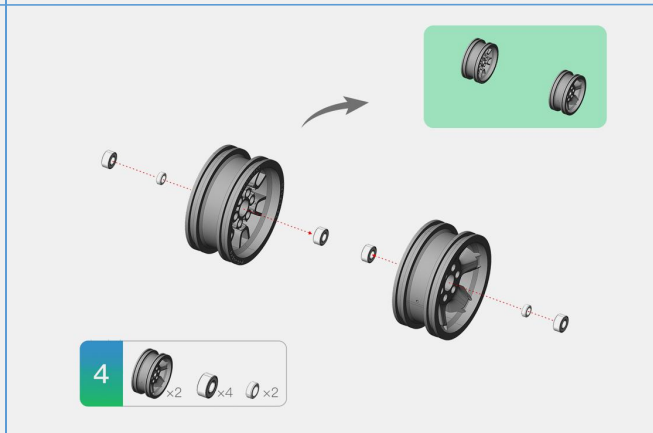
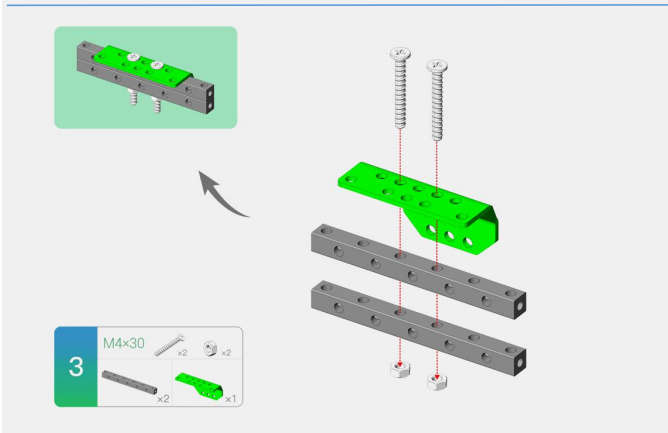
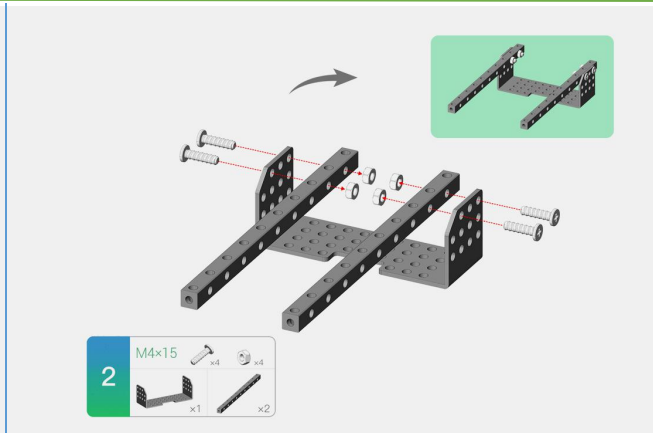
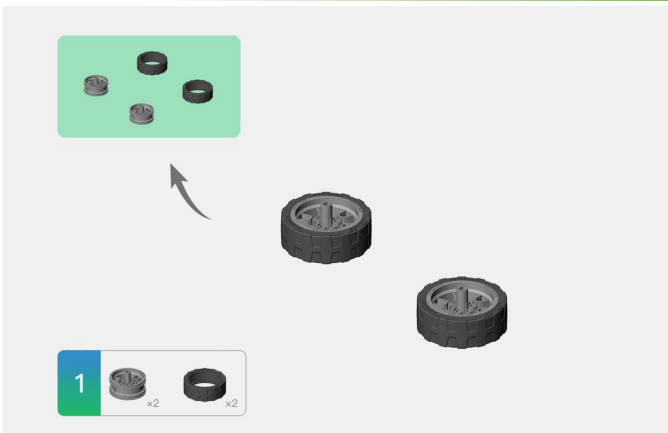


Curriculum introduction

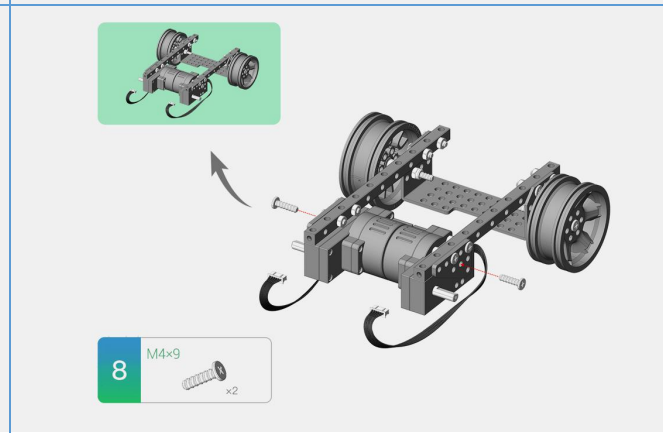
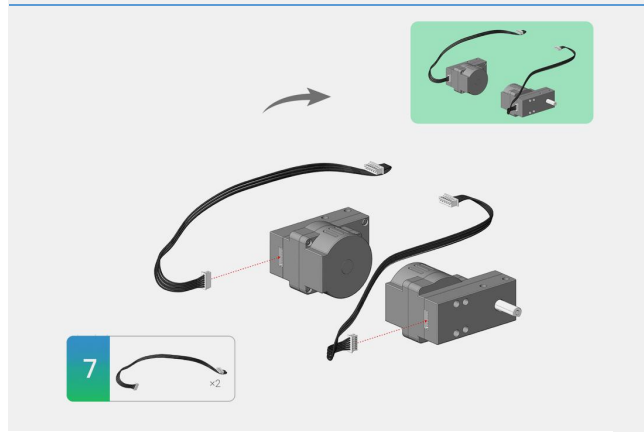
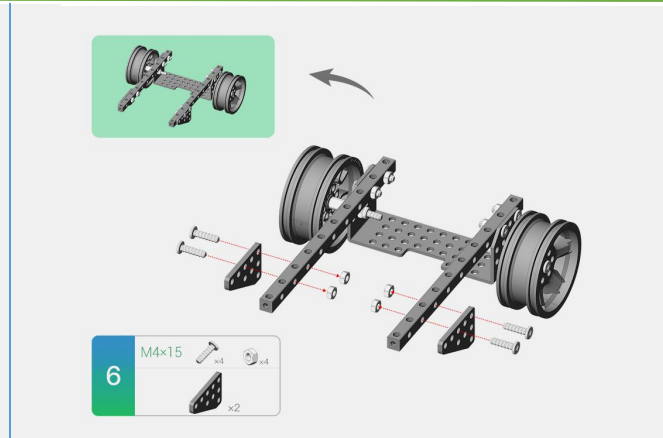
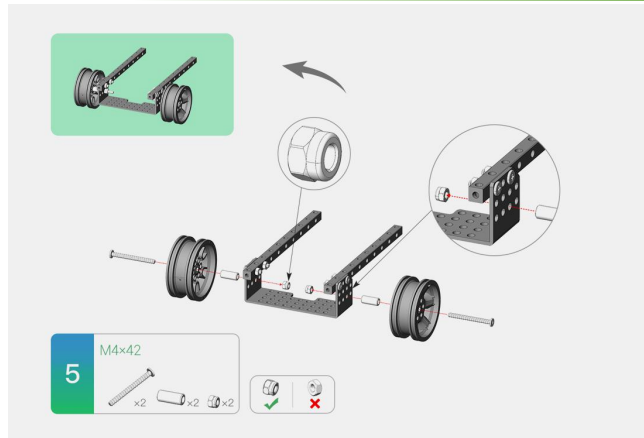
In the process of performing tasks, Captain Alloy's cautious, strict style of work can pledge that the task could be completed; and in leisure, its humor always make people feel happy. so that is the reason why we accept it ,. Its big expression sometimes is concentration, sometimes is happy.



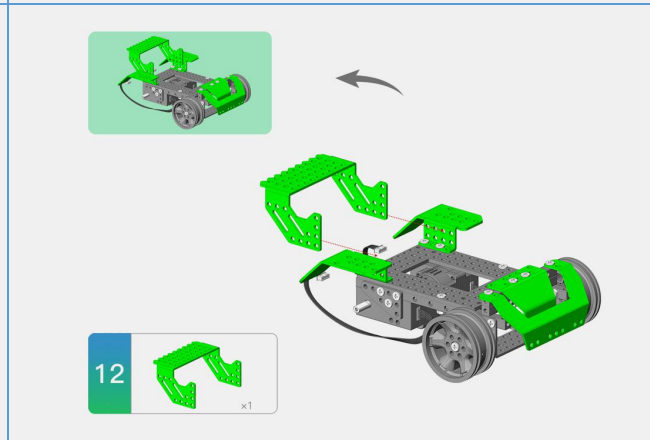
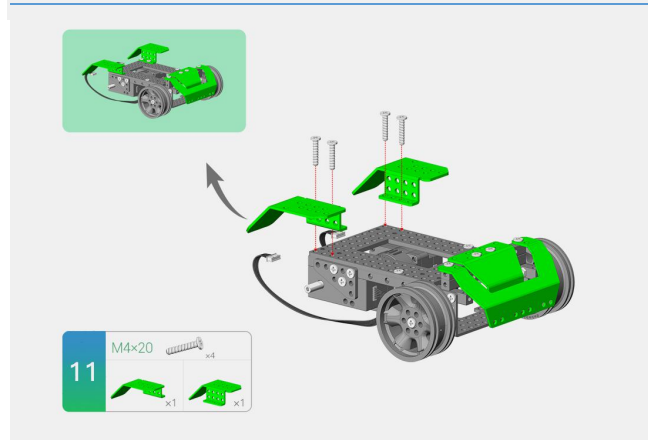
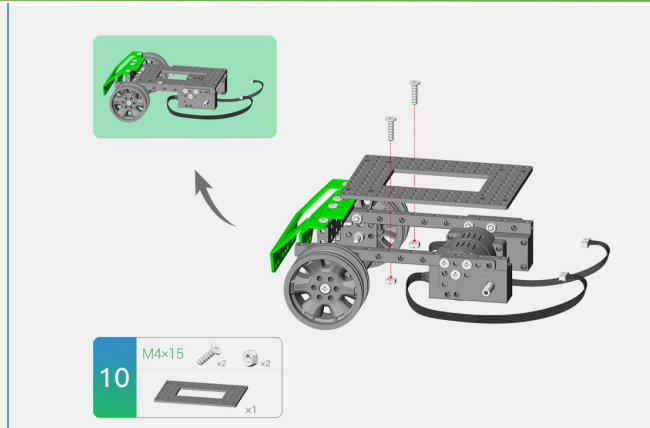
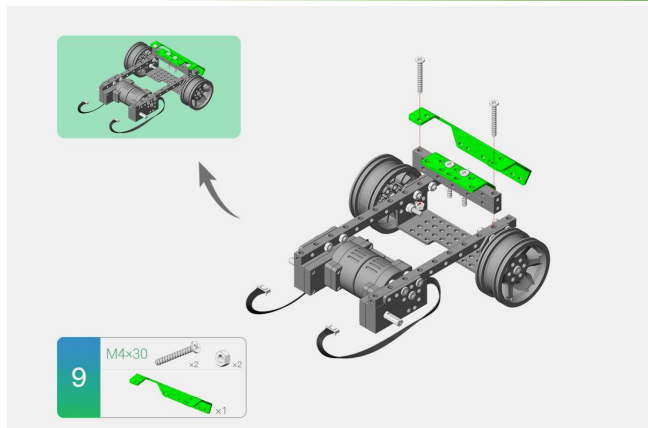
Structure building



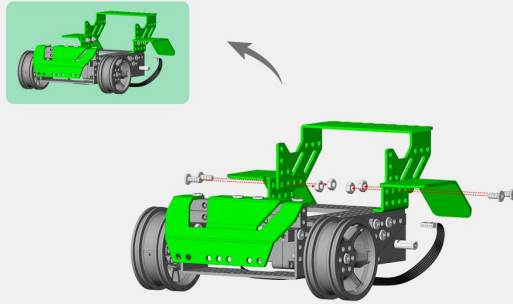
Structure building



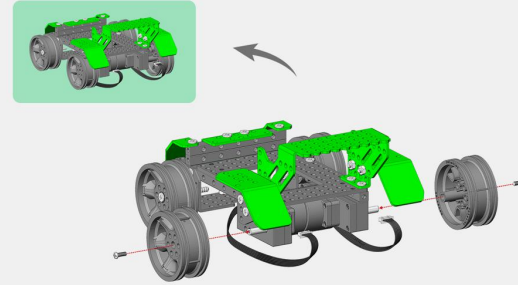
Structure building



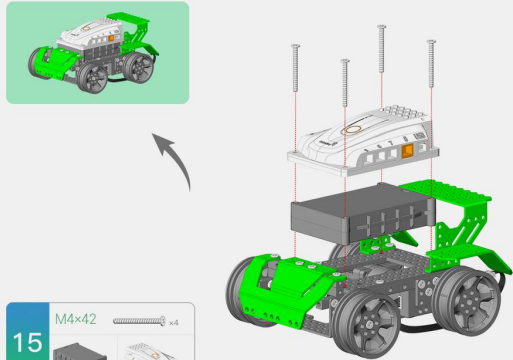
Structure building



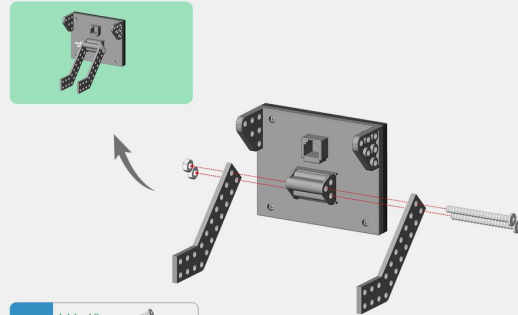
- 13 M4x9
x4 x4



- 14 M3x8 x2
x2

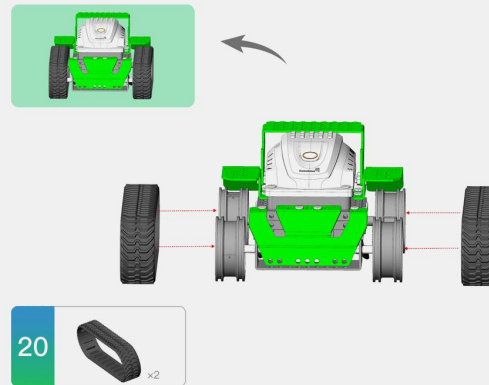
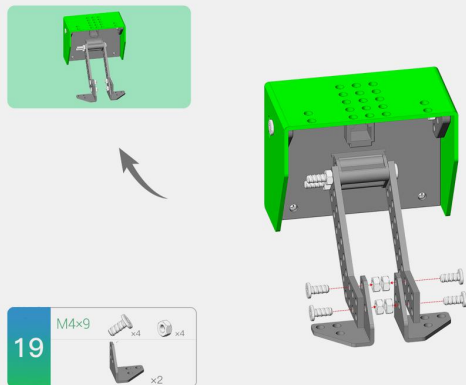
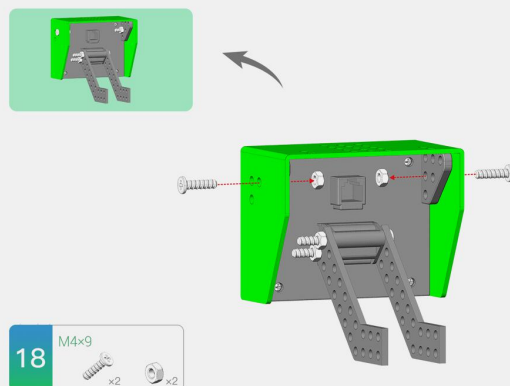
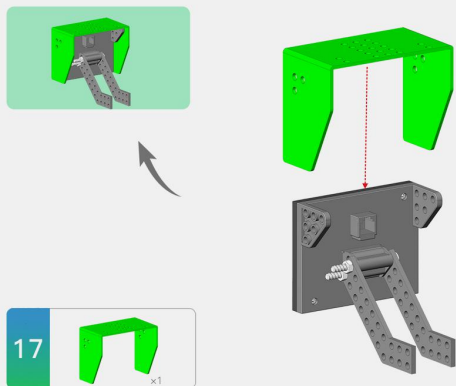


- 15 M4x42 x4
x1 x1

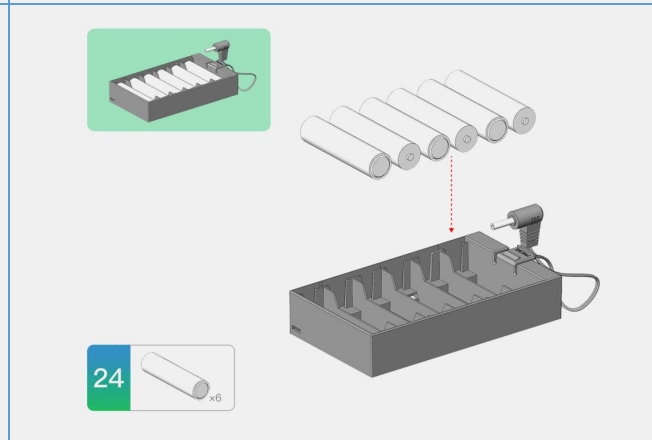
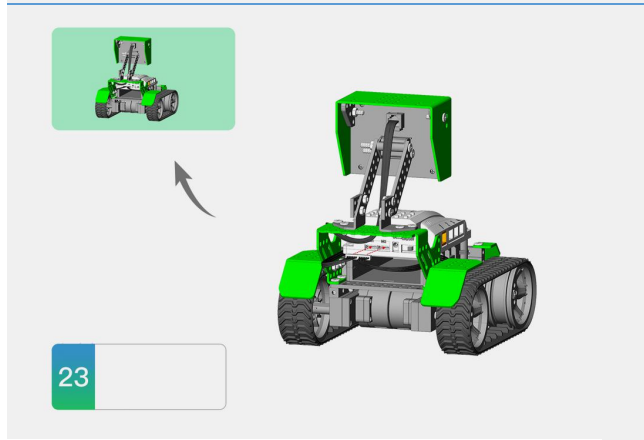
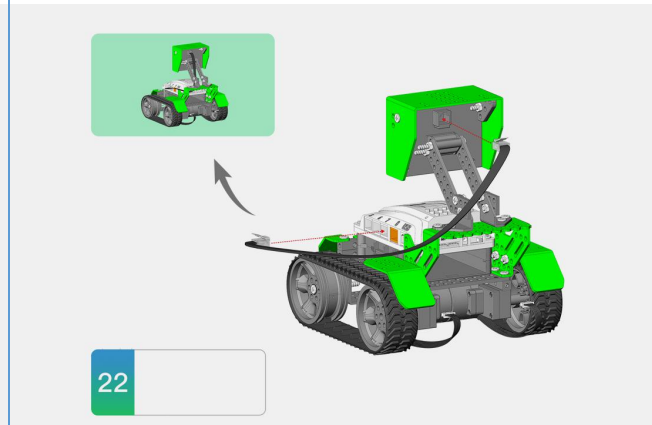
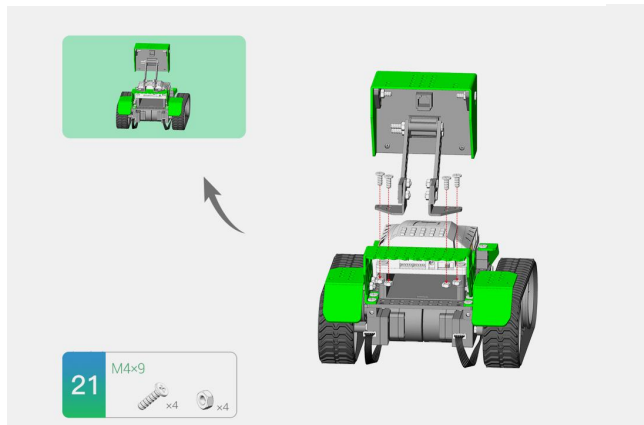


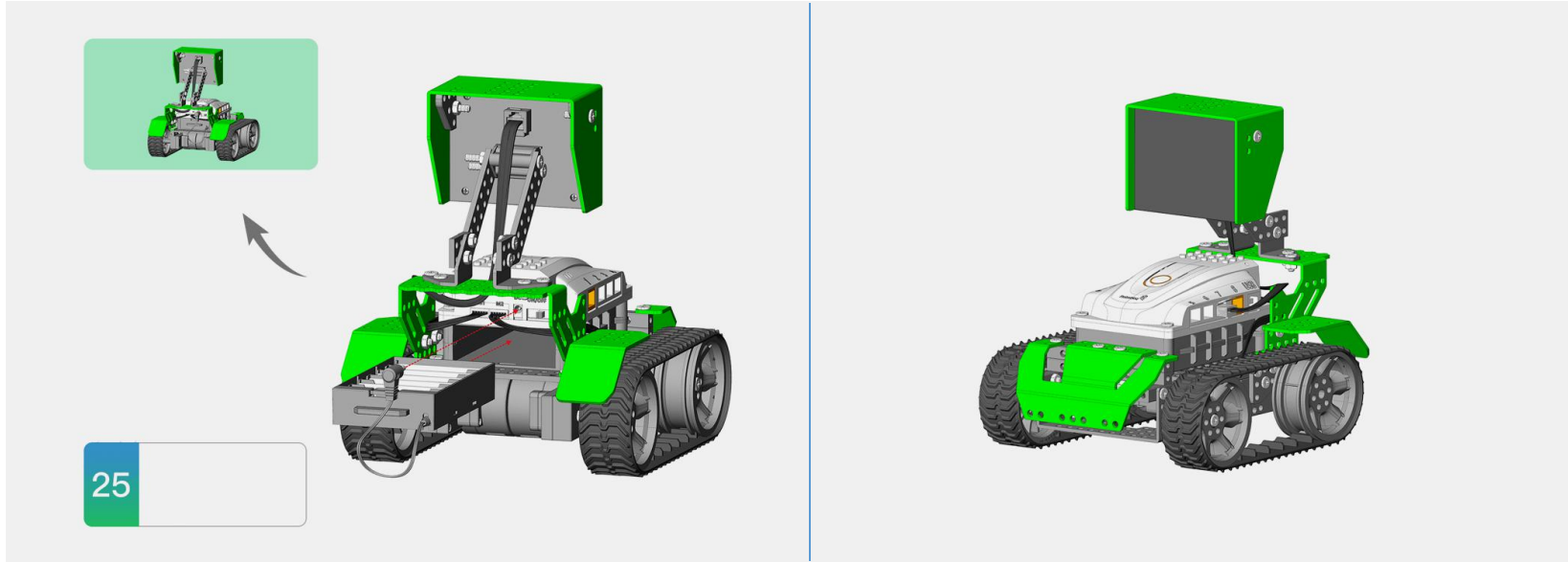
- 16 M4x42 x2 x2
x2 x1

Structure building



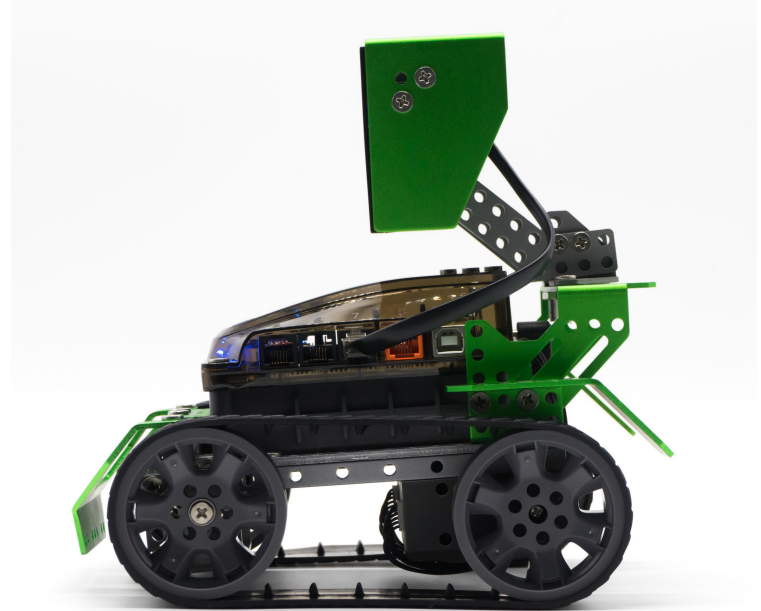
Structure building





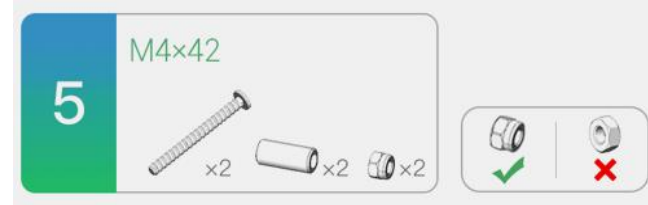
Please notice the connection between electrical machinery connection line and M1 and M2 port of main control panel in the process of building;

Port 2,3,4,5,6,7 are sensor port that can connect sensor and mainboard whereby connection line, LED matrix screen can connect every sensor port.



Summary and rethink

1. In the step 5 of building, what is the difference between nut that used to install wheel and other nuts? and what its function is?



The copyright of this material belongs to our company. Unauthorized dissemination or plagiarism will be investigated and legal responsibility will be affixed. The company has the final right of interpretation.

Company: Robobloq Co., Ltd

Address: Room 208, Building B53, Zhongchuang Industrial Park, Liuxian Avenue, Taoyuan Street, Nanshan District of Shenzhen

E-mail: hello@robobloq.com

Telephone: + 86-0755 -26926929

Website: <http://www.robobloq.com>